

NOTE:
Field measurements are required for the product you wish to order. Please provide product accurate measurements to eliminate delays or errors in the design and manufacturing.

* These dimensions are standard production for Spectrum Aquatics and meet FINA, NCAA, USAS, USMS, and NFHS height requirements. Please contact your Spectrum Aquatics sales representative if you would like to vary these dimensions.

Step side is determined by standing behind your block while facing the pool.

If your deck has a slope, dimension A should be taken from the surface of the water to the level where the starting platform post meets the deck.

\$ Call for additional pricing

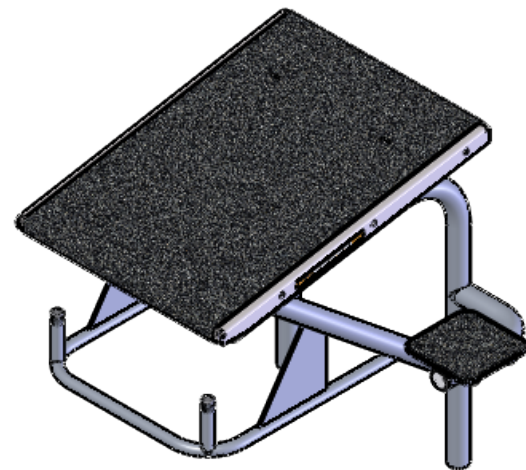
SUBMITTED BY: _____
PRINT SIGNATURE

DATE: _____

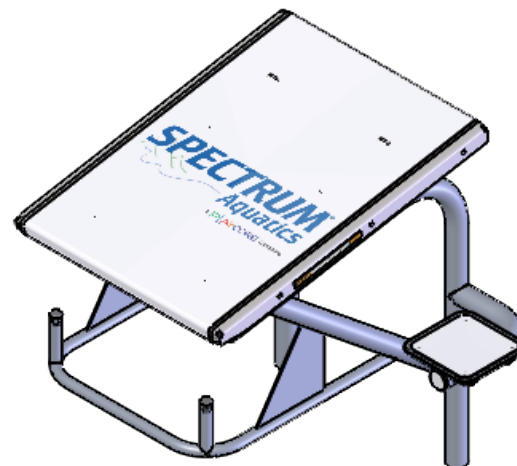
- REQUEST A FINAL DRAWING
- PROCEED WITH PRODUCTION

BY SIGNING ANYPLACE ON THIS SUBMITTAL, YOU ARE APPROVING AS IS - NO CHANGES REQUIRED.

THIS IS YOUR SUBMITTAL. SPECTRUM PRODUCTS HAS MADE EVERY EFFORT TO DESIGN TO YOUR SPECIFICATIONS. PLEASE REVIEW THIS SUBMITTAL THOROUGHLY. SPECTRUM PRODUCTS CANNOT BE RESPONSIBLE FOR ERRORS AFTER THE SUBMITTAL(S) HAS BEEN SIGNED AND APPROVED BY YOU AND/OR YOUR CUSTOMER. PLEASE INSURE ALL DIMENSIONS ARE ACCURATE AND CORRECT. IT IS THE SOLE RESPONSIBILITY OF THE CUSTOMER TO ENSURE THAT THE PRODUCT MEETS ALL APPLICABLE CODES.



RECORD BREAKER DP - BLACK



RECORD BREAKER - LOGO (\$)

FRAME
DIMENSION A: _____ (SETBACK)
DIMENSION B: _____ (WATER DRAFT)
DIMENSION C: _____ (POST CENTER-TO-CENTER)

- (PICK ONE)
- LEFT STEP (SHOWN)
 - RIGHT STEP
 - REAR STEP (30" SETBACK MINIMUM)
- (PICK ONE)
- 304L STAINLESS STEEL (STANDARD)
 - 316L STAINLESS STEEL (\$)
 - 304L STAINLESS STEEL - POWDER COATED (\$)

POWDER COLOR: _____
(REQUIRED FOR POWDER COATING)

316L STAINLESS STEEL - POWDER COATED (\$)

POWDER COLOR: _____
(REQUIRED FOR POWDER COATING)

- TOP - STEP (COLOR)
- CHECK OPTION BELOW
- STEP (SIZE)
- CHECK OPTION BELOW
- NUMBERS
- CHECK OPTION RIGHT

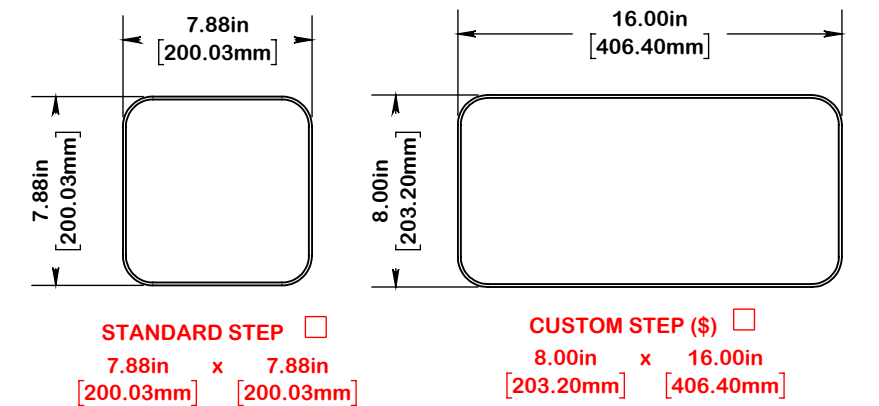
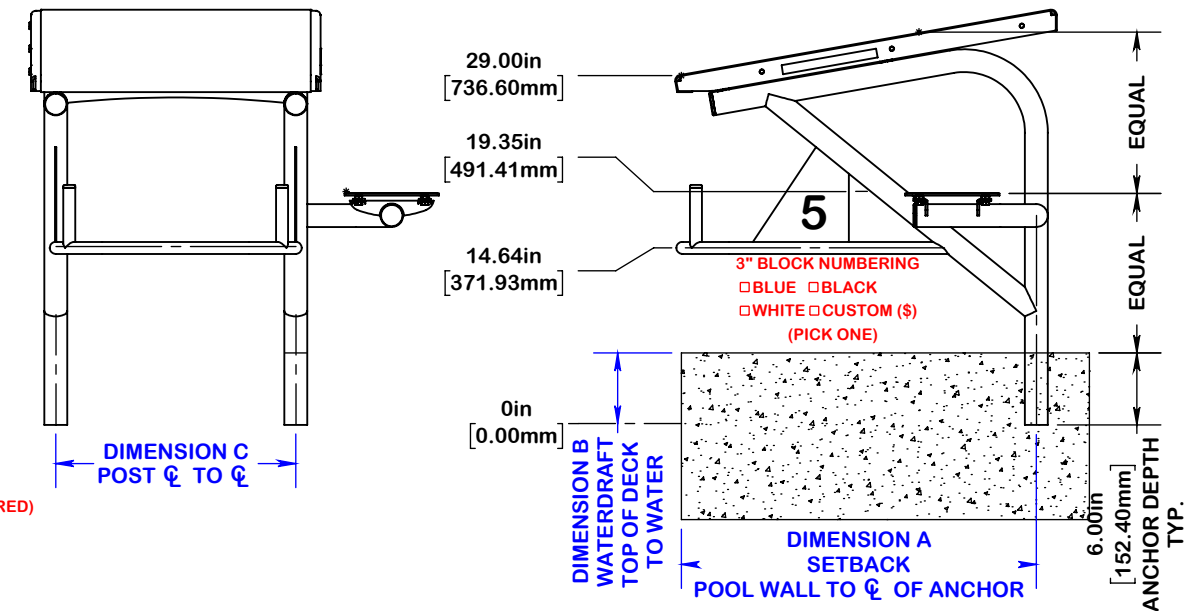
CUSTOM NUMBER FONT (\$): _____ COLOR (\$): _____
(REQUIRED FOR CUSTOM BLOCK NUMBERING)

BLOCK NUMBERING: _____ (REQUIRED)

EXAMPLE 01: #1-6 BLOCK #7 LEFT BLANK

EXAMPLE 02: #1-3 LEFT STEP & #4-6 RIGHT STEP

ENSURE DISTANCE OF 6" BETWEEN ϕ ANCHOR LOCATIONS AND EXPANSION JOINTS, EDGES OF SLAB, ETC.



SPECTRUM
Aquatics

A PLAYCORE Company
7100 Spectrum Lane Missoula, Montana 59808
800.791.8056 www.spectrumaquatics.com

ENGINEERING DATA

PRODUCT:	RECORD BREAKER - DP - MEASURING GUIDE			
MODEL #:	57741	CATALOG #:	57741	REVISION: A
MATERIAL:	304L STAINLESS STEEL			
FINISH #:	PASSIVATE IAW ASTM A967			

NOTE:

\triangle DIMENSIONS VARY WITH SPECIFIC APPLICATIONS. SPECIFICATIONS ARE NOMINAL AND ARE SUBJECT TO CHANGE. PLEASE CONTACT SPECTRUM AQUATICS FOR CUSTOM APPLICATIONS

SPECIAL REQUESTS: