

**Ladder, 25" Heavy Duty 4 Step, product number 36401-25**

**Rails**

The ladder shall be fabricated of 1.90" O.D. x .065", .109", or .145" wall thickness 304L stainless steel. Each rail shall have three bends that are to be wrinkle free. Provided with two (2) rubber bumpers.

**Steps**

Four (4) step treads shall be provided. They shall be 19.66in wide x 5.00in deep with a non-slip top surface, and shall be made of high density plastic. Hardware included.

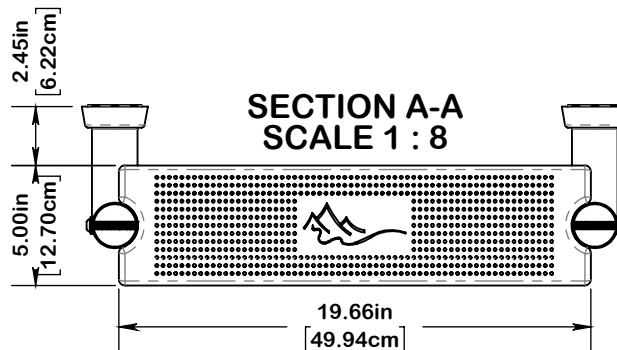
**Anchors**

The ladder shall be supported by two (2) 4" bronze wedge anchors and two (2) stainless steel keyhole escutcheons.

(Not Included)

**Warranty**

Two year limited warranty.



*NOTE:*

*△ DIMENSIONS VARY WITH SPECIFIC APPLICATIONS. SPECIFICATIONS ARE NOMINAL AND ARE SUBJECT TO CHANGE. PLEASE CONTACT SPECTRUM AQUATICS FOR CUSTOM APPLICATIONS*



A PLAYCORE Company

7100 Spectrum Lane  
 Missoula, Montana 59808  
 800.791.8056  
 www.spectrumaquatics.com

**ENGINEERING DATA**

PRODUCT:	25in HEAVY DUTY 4 STEP - 1.9 -			
MODEL #:	LADDER	CATALOG #:	36401-25	REVISION: A
MATERIAL:	304L STAINLESS STEEL			
FINISH #:	BUFFED TO NEAR #6 FINISH OR 500 GRIT			