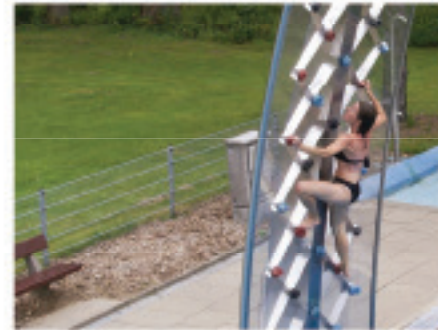




## AquaClimb® Pool Climbing Wall Planning Guide



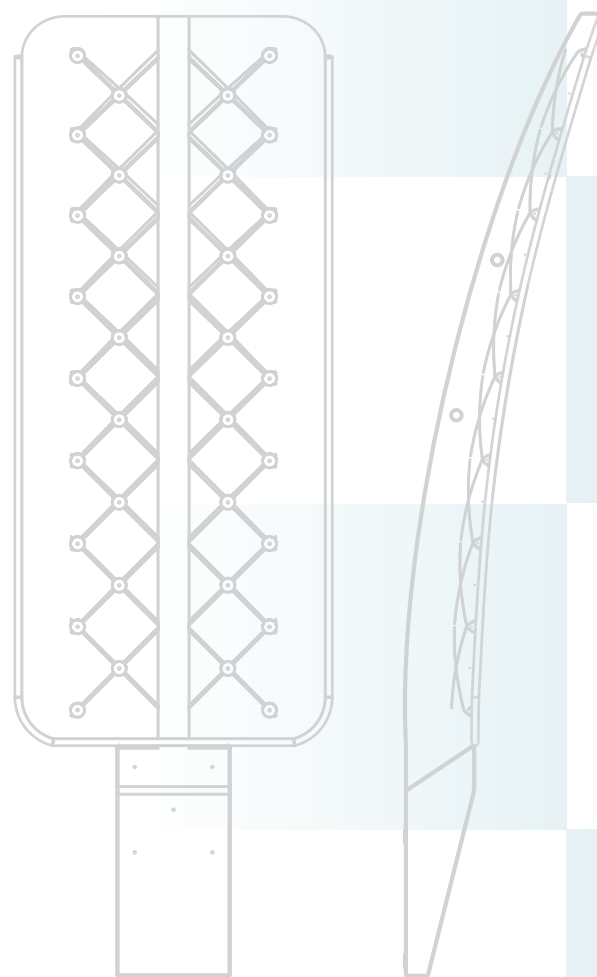
800-791-8056

[info@spectrumproducts.com](mailto:info@spectrumproducts.com)

[www.SpectrumProducts.com](http://www.SpectrumProducts.com)

# Table of Contents

Data sheet .....	3
Safety distances .....	4
Drawings: Dimensions and safety distances	
a. WSI500, WSO500 .....	5
b. WSI600, WSO600 .....	6
c. WSI700, WSO700 .....	7
Several walls in one pool .....	8
Load specifications .....	9
Wind zones and feasibility .....	10
Colour chart .....	11



*All documents, values and distances are subject to technical changes.*

*The values determined by the manufacturer, Bodan Schwimmbadbau GmbH & Co. KG, during the project progression are vital exclusively.*

# AquaClimb Sport Data Sheet

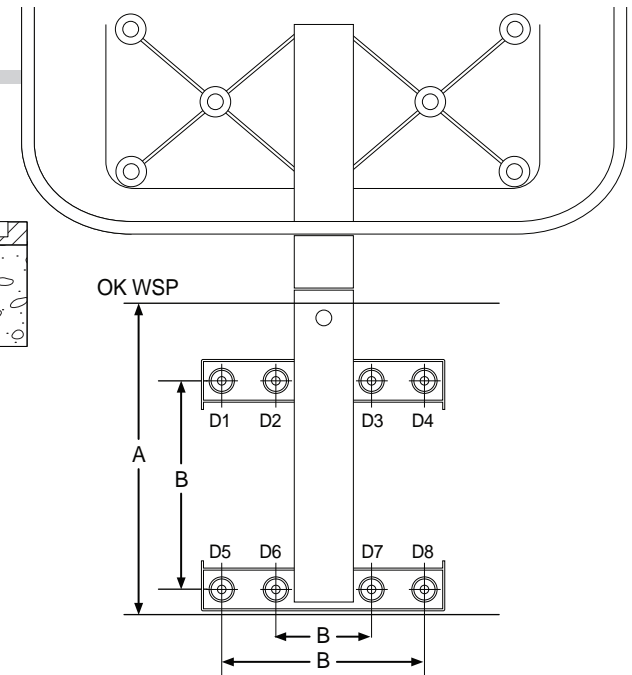
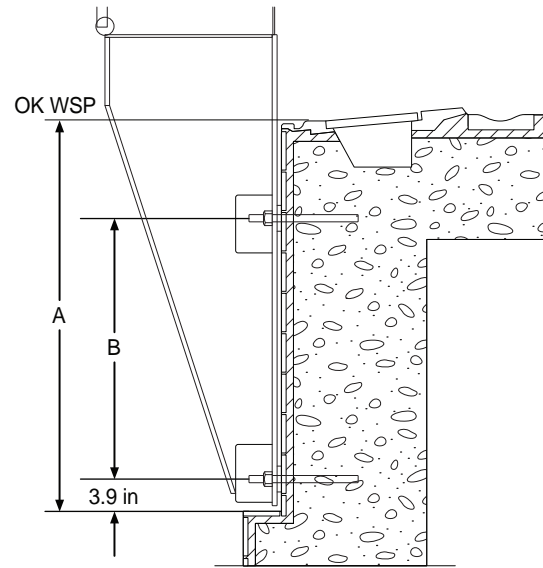
An installation is possible in all standard types of pools of all manufacturers: concrete, tiled concrete, stainless steel and plastic film pools.

The anchor bolt presentation is systematic and it is dependent on the pool wall.

The standard axis dimensions as well as the entire underwater construction can be adapted to individual and different standing steps and standing step heights according the demands of the client.

All data and distances are subject to technical changes and the individual country regulations. The construction can be adapted from case to case. This could also have effects on the safety relevant loads and distances.

The values determined by the manufacturer, Bodan Schwimmbadbau GmbH & Co. KG, are vital exclusively during the project progression.



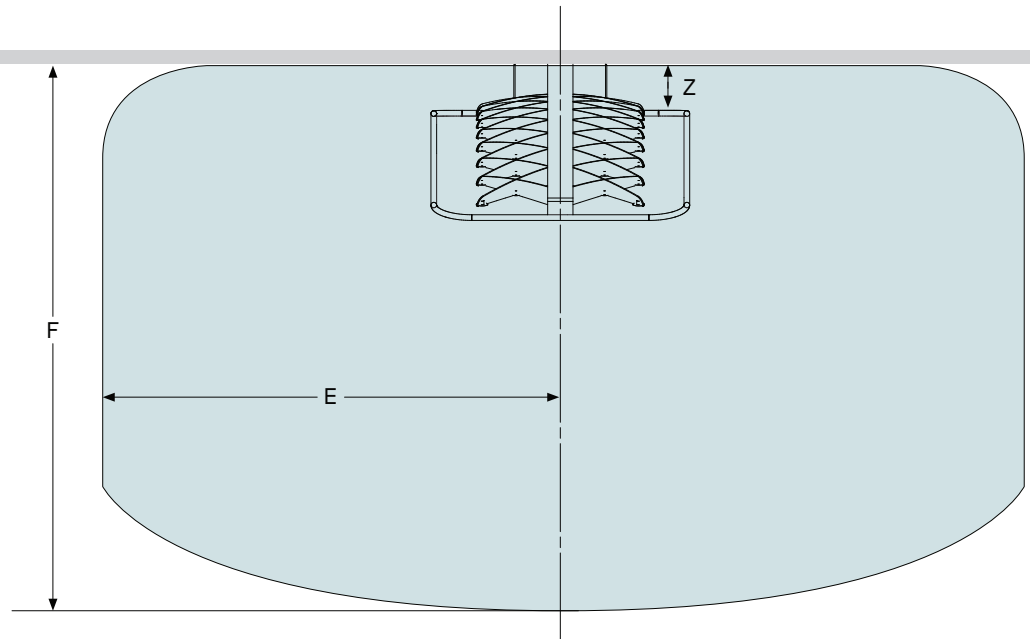
Model	Operation	Height above water	Max. handle height	Max. foot height	Total width	Total height	Total weight	Standard axis dimensions (if this is not possible, individually adaptable)	Anchor configuration (also see sheet on: load specifications)	Material	Equipment	Scope of delivery	Climbing handholds	Frequency of use	Maintenance intervals	Guarantee			
WSI500	Indoor	16.4 ft	13.1 ft	9.8 ft	6.8 ft	20.5 ft	1875 lbs	A, B, C1, C2	D1 - D8	Construction: polished stainless steel, optional powder coating of the upper part. Climbing surface: Makrolon	UV-resistant Makrolon	Climbing wall with preassembled climbing handholds incl. replacement handles, service box (content: torque wrench, harness for maintenance, security device, screw carabineer, replacement screws, small parts). CD with files for signs: usages notes, not in use sign, route definitions, detailed documentation	Handle set Nr.1 65 handles for 4 different climbing routes (incl. 25 addition handles to replace the routes)	80 Pers./h	General inspection: 12 months	2 years			
WSO500	Outdoor							A = approx. 49 in B = 31 in C1 = 11.8 in C2 = 26 in	D1 - D8 alternative: D1, D4, D5, D8										
WSI600	Indoor	19.6 ft	16.4 ft	13.1 ft	6.8 ft	23.7 ft	2095 lbs	A = approx. 49 in B = 31 in C1 = 11.8 in C2 = 26 in	D1 - D8 alternative: D1, D4, D5, D8								UV-resistant Makrolon	Handle set Nr.2 75 handles for 4 different climbing routes (incl. 25 additiona handles to replace the routes)	75 Pers./h
WSO600	Outdoor							D1 - D8											
WSI700	Indoor	22.9 ft	19.6 ft	16.4 ft	6.8 ft	27 ft	2315 lbs	A = approx. 49 in B = 31 in C1 = 11.8 in C2 = 26 in	D1 - D8								UV-resistant Makrolon	Handle set Nr.3 90 handles for 4 different climbing routes (incl. 30 additional handles to replace the routes)	70 Pers./h
WSO700	Outdoor							D1 - D8											

# AquaClimb Sport Data Sheet

All security distances were processed in cooperation with the TÜV Rheinland (technical inspection agency) taking into consideration the appropriate EN standard and through drop and jump tests.

All data and distances subject to technical changes and the individual country regulations. The construction can be

adapted from case to case. This could also have effects on the safety relevant loads and distances. The values determined by the manufacturer, Bodan Schwimmbadbau GmbH & Co. KG, are vital exclusively during the project progression.

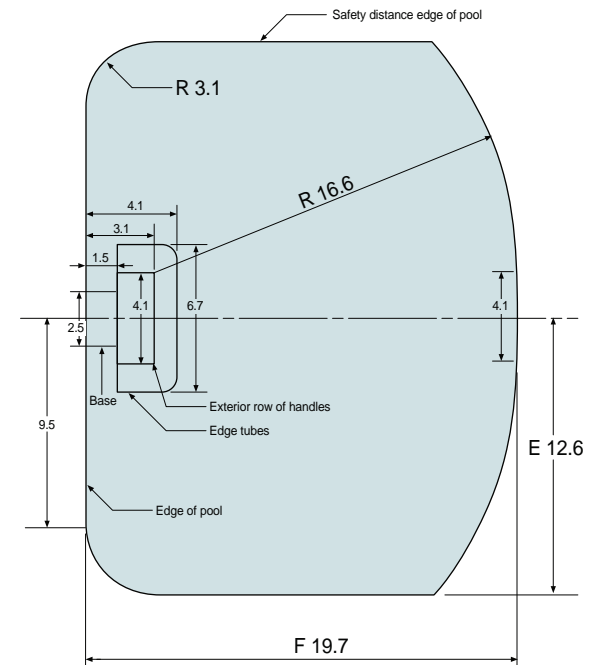
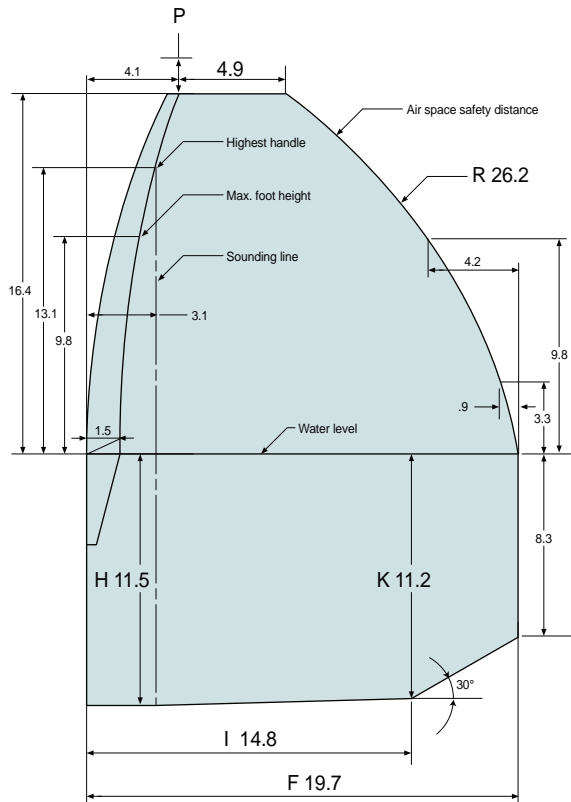
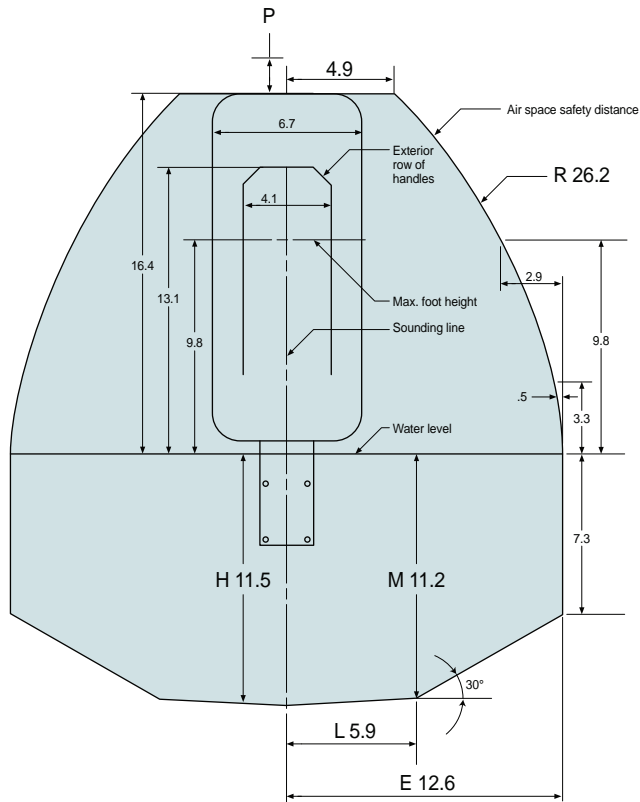


Model	Necessary depth of water required at the sounding line	lateral distance to the edge of the pool	Frontal distance to the edge of the pool	Distance of the climbing surface from the edge of the pool to the standard water surface	lateral axis distance between several AquaClimb walls	frontal distance between two AquaClimb walls opposite each other	lateral distance L and the local depth M where a 30° slant of the floor of the pool can begin (analogous to EN 13451)	frontal distance I and the local depth K where a 30° slant from the bottom of the pool can begin (analogous to EN 13451)	Distance to the ceiling of the building above the upper edge of the AquaClimb wall	Distance in the air space e.g. to a diving board/diving platform
	H	E	F	Z	S	T	L/M	I/K	P	
WSI500	min. 11.6 ft	min. 12.7 ft	min. 19.7 ft	min. 1.5 ft	min. 20 ft	min. 36 ft	L = min. 5.9 ft M = min. 11.2 ft	L = min. 14.8 ft M = min. 11.2 ft	Smooth ceiling: 0.1m. If there are configurations on the ceiling which could lead to the grasping or entanglement of fingers: 1m	Safety distance in air space according to drawings.
WSO500										
WSI600	min. 12 ft	min. 13.3 ft	min. 21.4 ft	min. 1.5 ft	min. 23.3 ft	min. 39.4 ft	L = min. 7.9 ft M = min. 11.6 ft	L = min. 16 ft M = min. 11.6 ft	Smooth ceiling: 0.1m. If there are configurations on the ceiling which could lead to the grasping or entanglement of fingers: 1m	Safety distance in air space according to drawings.
WSO600										
WSI700	min. 12.2 ft	min. 14 ft	min. 24.7 ft	min. 1.5 ft	min. 24.7 ft	min. 46 ft	L = min. 10 ft M = min. 12 ft	L = min. 18.7 ft M = min. 12 ft	Smooth ceiling: 0.1m. If there are configurations on the ceiling which could lead to the grasping or entanglement of fingers: 1m	Safety distance in air space according to drawings.
WSO700										

# Dimensions And Safety Distances – WSI500, WSO500

All security distances were processed in cooperation with the TÜV Rheinland (technical inspection agency)

taking into consideration the appropriate EN standard and through drop and jump tests.

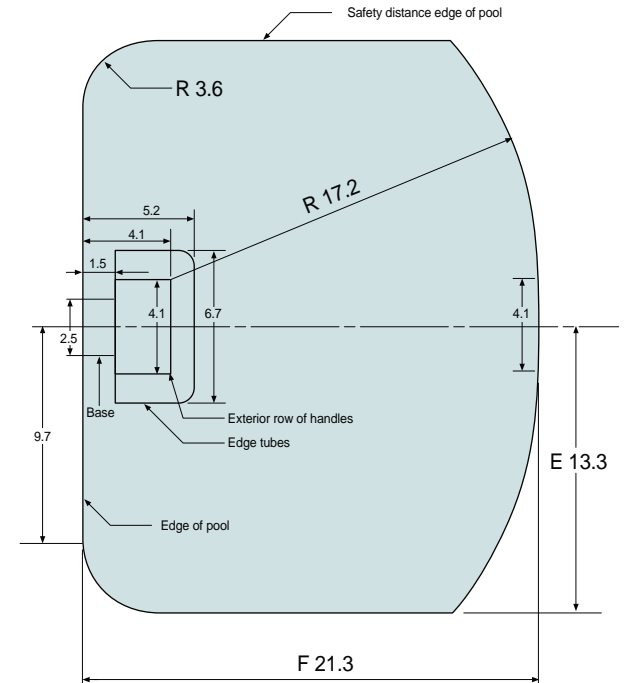
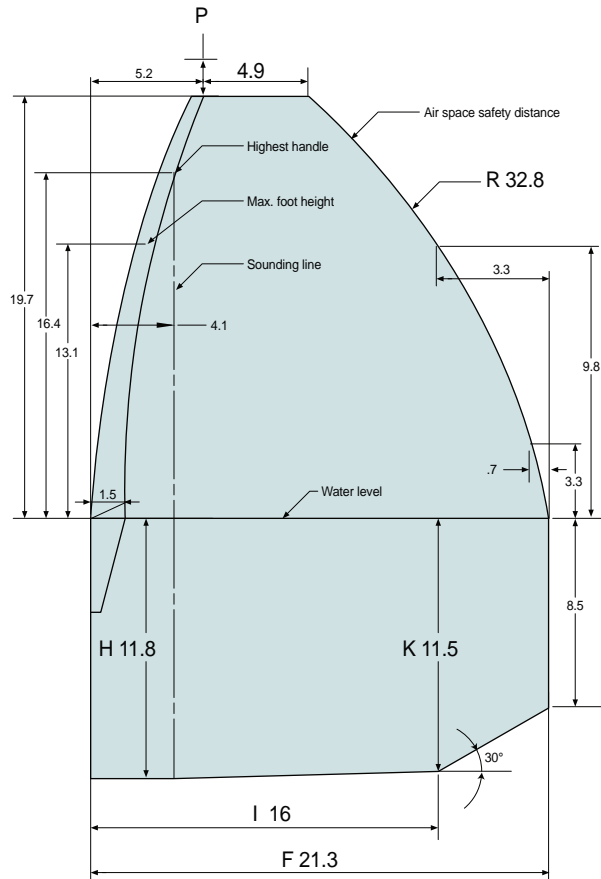
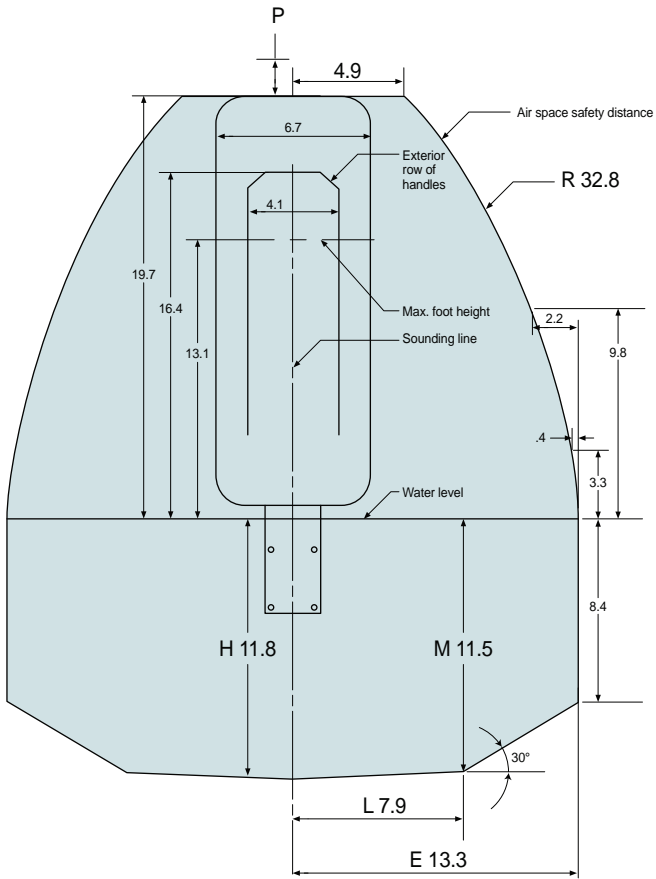


NOTE: ALL DIMENSIONS ARE LISTED IN FEET

# Dimensions And Safety Distances – WSI600, WSO600

All security distances were processed in cooperation with the TÜV Rheinland (technical inspection agency)

taking into consideration the appropriate EN standard and through drop and jump tests.

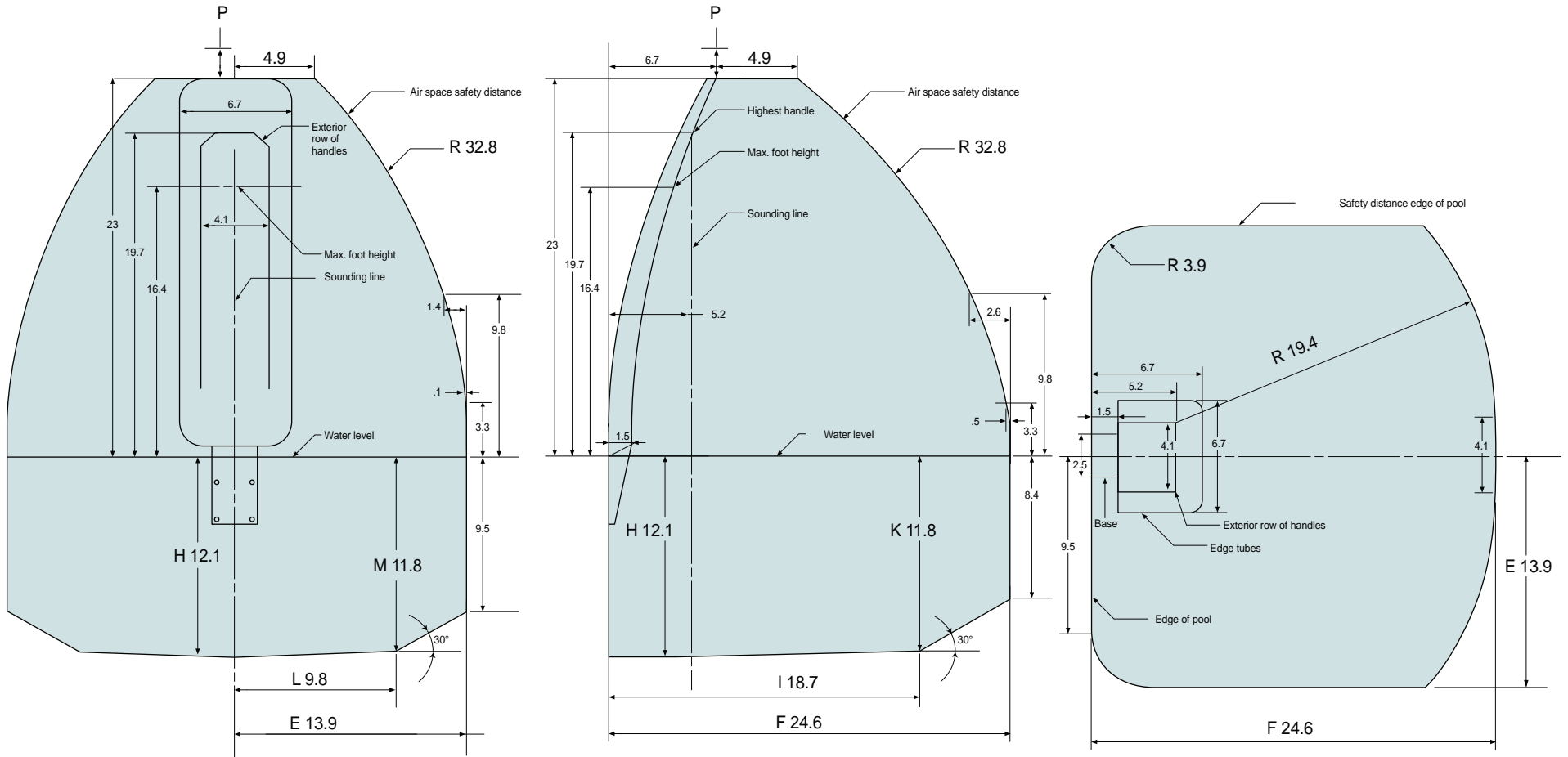


NOTE: ALL DIMENSIONS ARE LISTED IN FEET

# Dimensions And Safety Distances – WSI700, WSO700

All security distances were processed in cooperation with the TÜV Rheinland (technical inspection agency)

taking into consideration the appropriate EN standard and through drop and jump tests.

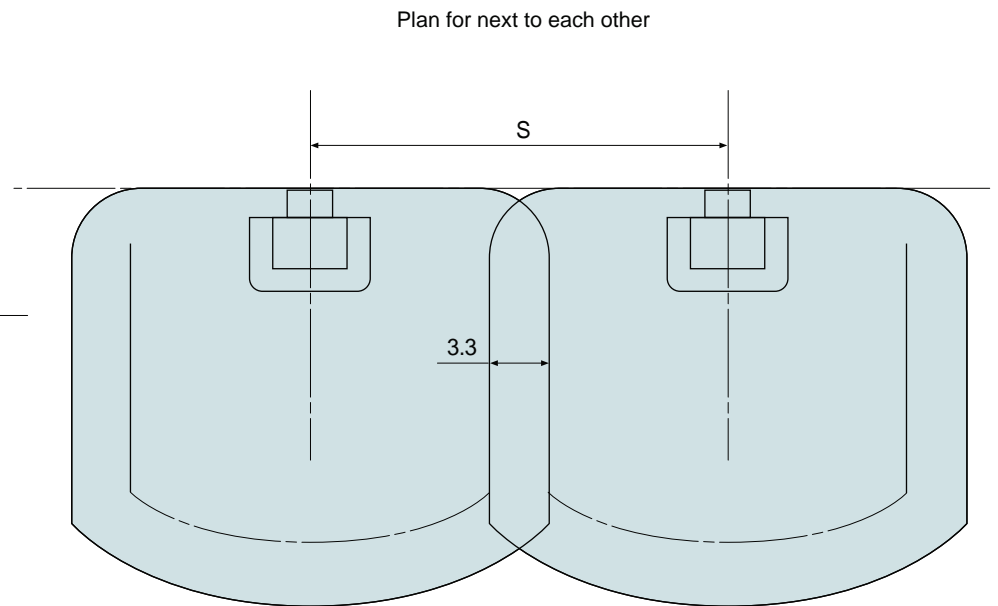
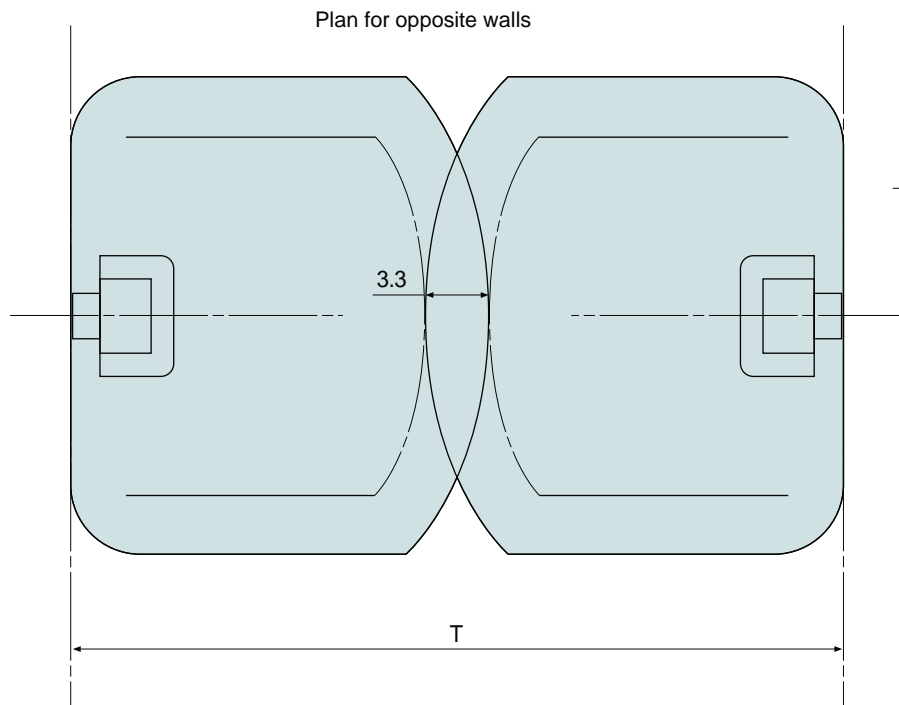


NOTE: ALL DIMENSIONS ARE LISTED IN FEET

# Safety Distances Between Multiple Walls

All security distances were processed in cooperation with the TÜV Rheinland (technical inspection agency)

taking into consideration the appropriate EN standard and through drop and jump tests.



NOTE: ALL DIMENSIONS ARE LISTED IN FEET



# AquaClimb Sport Load Specifications

Model	Operation	Direction of force (in fastening axis)	Direction of force (horizontal to the fastening axis)	Direction of force (vertical to the fastening axis)
-------	-----------	---	--	--

## Permissible values valid up to wind zone 2 (without coasts)

		Fx in kN		Fy in kN		Fz in kN	
		Fastening point pursuant to data sheet		Fastening point pursuant to data sheet		Fastening point pursuant to data sheet	
		D1, D2, D3, D4	D5, D6, D7, D8	D1, D2, D3, D4	D5, D6, D7, D8	D1, D2, D3, D4	D5, D6, D7, D8
WSI500	Indoor	20.3 (D1, D4: 40.5)	10.3 (D5, D8: 20.5)	0.4 (D1, D4: 0.7)	0.4 (D5, D8: 0.7)	7.5 (D1, D4: 15)	3.5 (D5, D8: 7)
WSO500	Outdoor	25 (D1, D4: 50)	14 (D5, D8: 28)	0.4 (D1, D4: 0.7)	0.4 (D5, D8: 0.7)	8 (D1, D4: 16)	4.3 (D5, D8: 8.5)
WSI600	Indoor	27 (D1, D4: 54)	15 (D5, D8: 30)	0.4 (D1, D4: 0.7)	0.4 (D5, D8: 0.7)	9 (D1, D4: 18)	5 (D5, D8: 10)
WSO600	Outdoor	32.5	20	0.4	0.4	10	6
WSI700	Indoor	34	20	0.4	0.4	11	6
WSO700	Outdoor	41.5	27.5	0.4	0.4	12.5	7.5

For the types WSI500, WSI600 and WSO500 at the installation site in zone 2, the fastening is also allowed to be done on fastening points D1, D4, D5 and D8 only.

In this case, the comprising strengths for the measurements of the fastening device must be doubled. (data in brackets)

### Remarks:

**Maximum diameter for the fastening device D=24mm**

**If fastening devices greater than D=24mm are used, compensator sleeves must be used.**

**Models FHB dyn A4 (Manufacturer Fischer) are recommended when using anchor bolts.**

**When using tension anchors and/or screws, material A4 must be used.**

**The measurement and the selection of the fastening device must take place with an authorised specialist (structural designer)**

**For the measurements the information from statics pt. 6 and 7 must be taken into consideration.**

## Permissible values valid up to wind zone 3

		Fx in kN		Fy in kN		Fz in kN	
		Fastening point pursuant to data sheet		Fastening point pursuant to data sheet		Fastening point pursuant to data sheet	
		D1, D2, D3, D4	D5, D6, D7, D8	D1, D2, D3, D4	D5, D6, D7, D8	D1, D2, D3, D4	D5, D6, D7, D8
WSI500	Indoor	37.0	22.5	0.4	0.4	10.3	6.0

# Color Chart – Standard colors for the powder coating

The entire supporting structure is manufactured from polished stainless steel. For the interior area we recommend a powder coating. In the exterior area it is not absolutely necessary.

The upper part is coated in powder, the lower part of the construction in the water remains uncoated.

If desired both edge tubes of the Aqua Climb system can be coated in colour different to that of the system (e.g. signal colour).

RAL	
9003	Signal white
9002	Grey white
7035	Light grey
7001	Silver-grey
6034	Pastel turquoise
5024	Pastel blue
5015	Sky blue
5012	Light blue
3024	Luminous red

The following colours are available with a 15% additional charge:

1028	Melon yellow
1003	Signal yellow

