

8

7

6

5

4

3

2

1

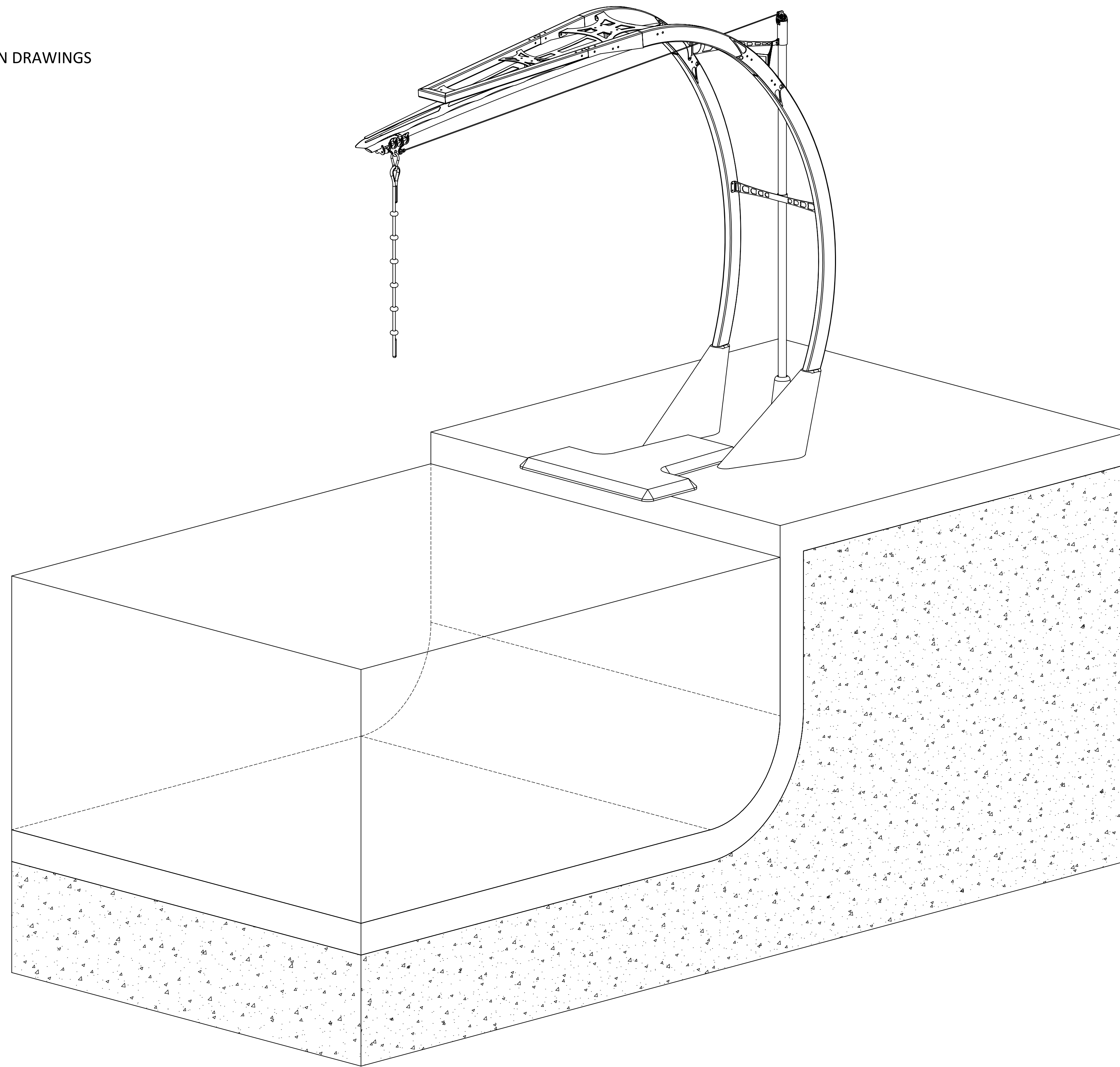
NOTES:

- 1. APPLICABLE STANDARDS/SPECIFICATIONS:
ASME Y14.5-2009, DIMENSIONING AND TOLERANCING
ASME Y14.38-2007, ABBREVIATIONS AND ACRONYMS FOR USE ON DRAWINGS

- RELATED DOCUMENTS -

- NONE

- 2. REMOVE ALL BURRS AND SHARP EDGES.
- 3. DIMENSIONS AND TOLDERANCE APPLY PRIOR TO FINISHING.
- 4. FINISH: TO BE SPECIFIED BY PROCUREMENT PROCESS



00718C-01: ZIP'N ARCHITECTURAL -
FULL ASSEMBLY
SCALE: 1:16

SHEET REFERENCE	
SHEET	DESCRIPTION
1	TITLE
2	SAFETY FEATURES
3	CONCRETE SLAB DETAILS
4	SAFETY ZONES
5	SPATIAL REQUIREMENTS
6	RIDER GRAB HEIGHTS
7	ANCHOR SETBACK/POSITIONS

THIS DRAWING HAS BEEN GENERATED AND IS MAINTAINED BY A CAD SYSTEM. CHANGES SHALL BE INCORPORATED AS DIRECTED BY THE DESIGN ACTIVITY

REVISIONS			
REV.	DESCRIPTION	DATE	REV'D BY
A	INITIAL RELEASE	17-JUL-20	C. MALJIAN

DESIGN



P.O. BOX 530
Frederick, MD 21705

PHONE: +1 800.956.6692
FAX: +1 240.575.6020
EMAIL: info@quaclimb.com

UNLESS OTHERWISE SPECIFIED:	NAME	DATE	AQUACLIMB P.O. BOX 530 FREDERICK, MD 21705
DIMENSIONS ARE IN INCHES (MM)	DESIGNER	C.MALJIAN	01-30-20
TOLERANCES:	DRAWN	C. MALJIAN	01-30-20
FRACTIONAL ± 1/16	CHECKED	A. SALZMAN	21-JUL-20
ANGULAR: MACH ± 1	ENG APPR.	N/A	21-JUL-20
TWO PLACE DECIMAL ± 0.01 (0.25)	MFG APPR.	N/A	N/A
THREE PLACE DECIMAL ± 0.005 (0.127)	Q.A.	N/A	N/A
DO NOT SCALE DRAWING	COMMENTS:	-NONE-	
PROPRIETARY AND CONFIDENTIAL	THE INFORMATION CONTAINED IN THIS DRAWING IS THE SOLE PROPERTY OF PYRAMIDE USA. ANY REPRODUCTION IN PART OR AS A WHOLE WITHOUT THE WRITTEN PERMISSION OF PYRAMIDE USA IS PROHIBITED.		
TITLE:		ZIP'N ARCHITECTURAL	
SIZE	DWG. NO.	REV	
D	00718C_ARCHITECTURAL		
SCALE: 1:48		WEIGHT: 207032.15 SHEET 1 OF 7	

8

7

6

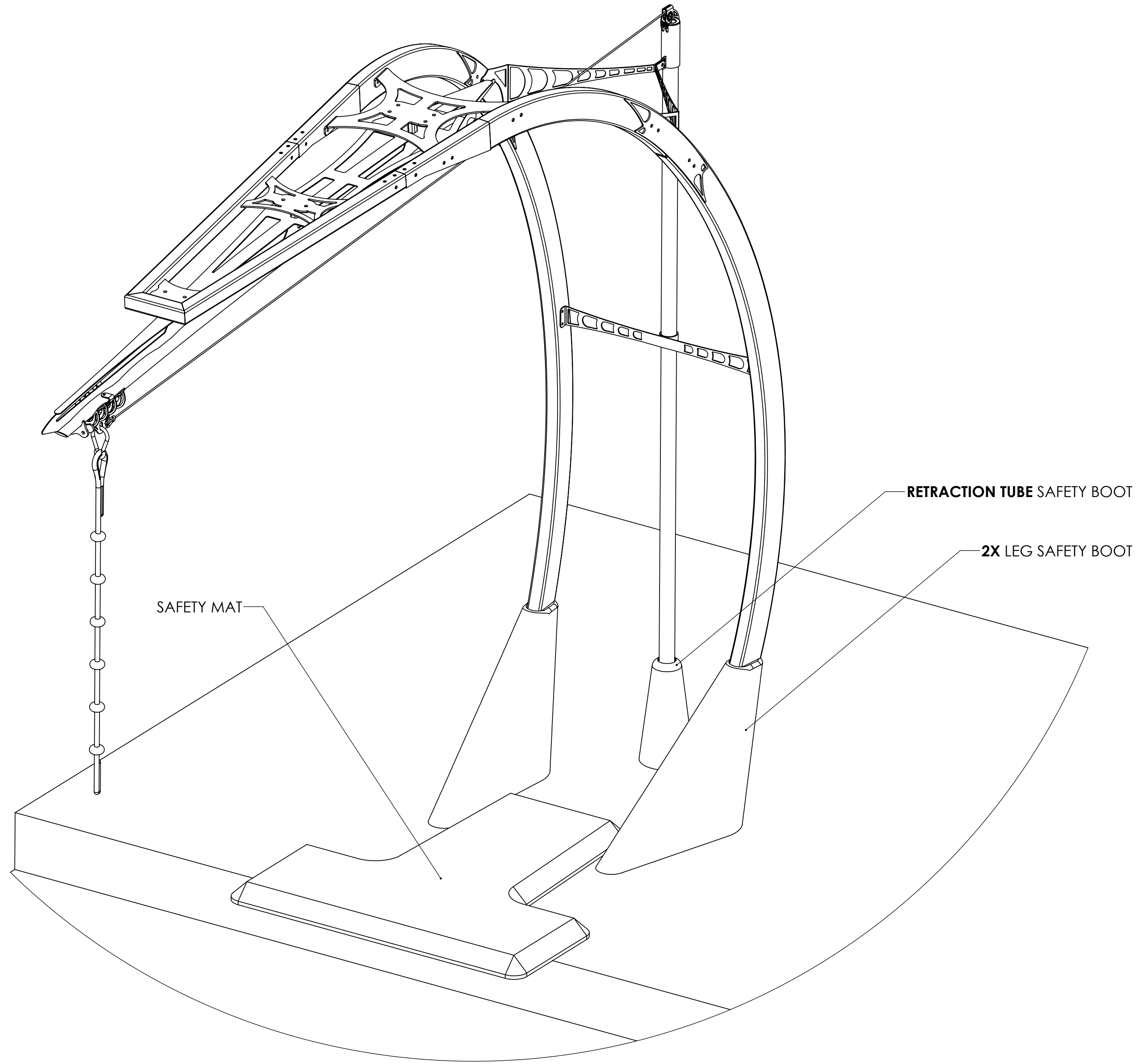
5

4

3

2


1



SAFETY GUIDELINES:

- EXPERIENCED SWIMMERS ONLY
- ONE PERSON USING THE ZIP'N AT A TIME
- ONLY ONE SWIMMER AT A TIME IN THE DROP ZONE
- NO DIVING AND NO BACKFLIPS; FEET FIRST ONLY
- MAXIMUM RIDER WEIGHT: PLEASE REFERENCE TABLE ON SHEET 3

SAFETY FEATURES

UNLESS OTHERWISE SPECIFIED:		 AQUACLIMB P.O. BOX 530 FREDERICK, MD 21705
<small> DIMENSIONS ARE IN INCHES (mm) TOLERANCES: FRACTIONAL: ± 1/16 ANGULAR: MACH: ± 1 BEND ± 1 TWO PLACE DECIMAL: ± .02 (0.51) THREE PLACE DECIMAL: ± .005 (0.127) WELDS: ± 1/8 DO NOT SCALE DRAWING: N/A </small>		
<small> PROPRIETARY AND CONFIDENTIAL THE INFORMATION CONTAINED IN THIS DRAWING IS THE SOLE PROPERTY OF PRAMADE USA, ANY REPRODUCTION IN PART OR AS A WHOLE WITHOUT THE WRITTEN PERMISSION OF PRAMADE USA IS PROHIBITED. </small>		<small>TITLE:</small> ZIP'N ARCHITECTURAL
<small>SIZE</small> D	<small>DWG. NO.</small> 00718C_ARCHITECTURAL	<small>REV</small>
<small>SCALE: 1:1</small>		<small>WEIGHT: 207032.15</small> SHEET 2 OF 7

THIS DRAWING HAS BEEN GENERATED AND IS MAINTAINED BY A CAD SYSTEM. CHANGES SHALL BE INCORPORATED AS DIRECTED BY THE DESIGN ACTIVITY

8 7 6 5 4 3 2 1

D

D

C

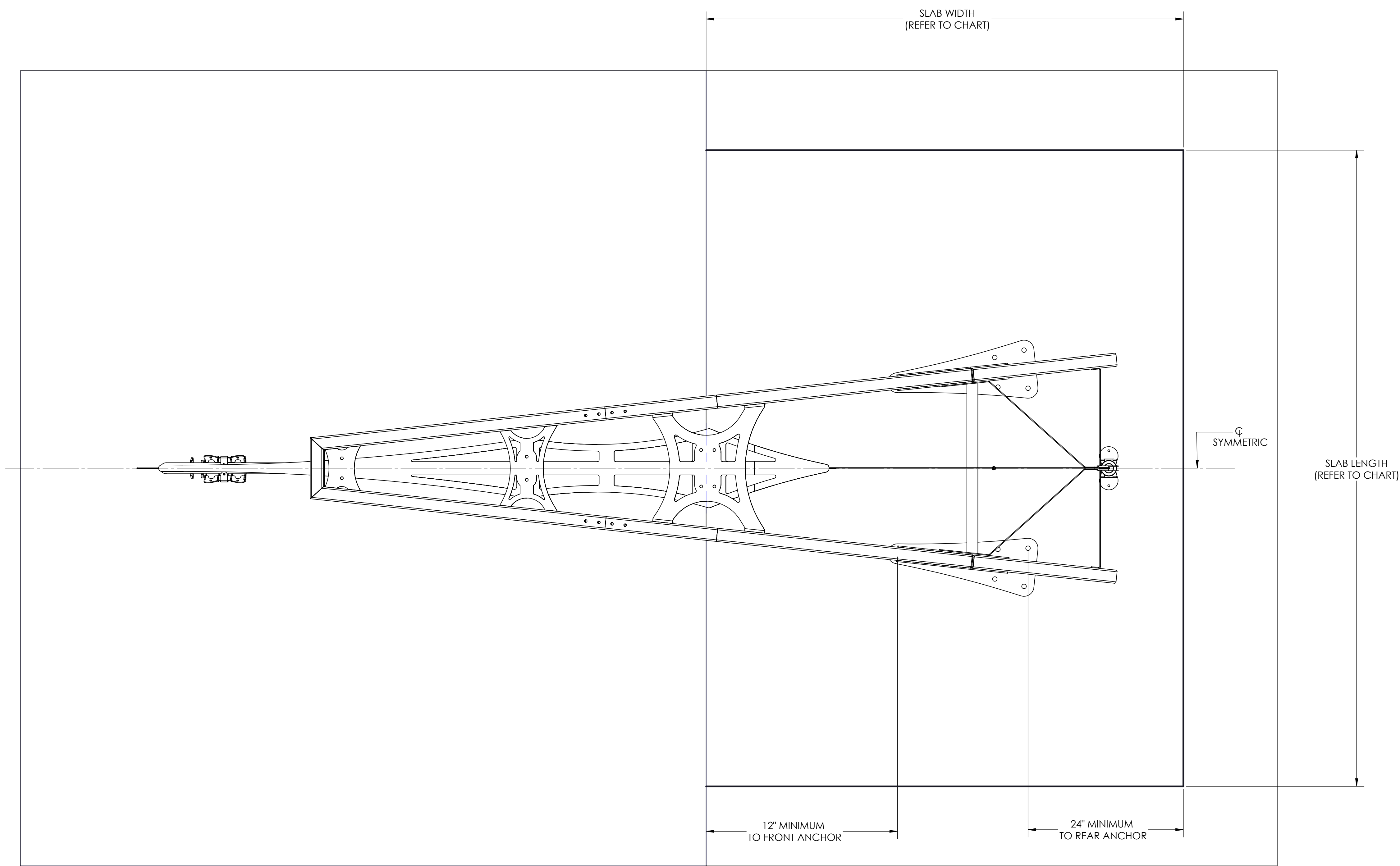
C

B

B

A

A



SLAB VS. RIDER WEIGHT DIMENSION REQUIREMENTS		
RIDER WEIGHT (lbs)	SLAB WIDTH MIN.	SLAB LENGTH MIN.
150	72"	72"
200	72"	84"
250	72"	96"

BASED ON A MIN. 4" THICK UNCRACKED, POURED CONCRETE SLAB

1. SOLID AREA OF UNCRACKED CONCRETE REQUIRED AT FRAME LOCATION. AREA SHALL BE UNINTERRUPTED BY ANY JOINTS
2. SLAB LENGTH TO BE CENTERED ON ZIP'N FRAME
3. MINIMUM THICKNESS OF 4" REQUIRED FOR CONCRETE SLAB WITH 6X6 W2.0 WELDED WIRE MESH ASTM A185
4. IF CONCRETE AREA IS NEW, MINIMUM CONCRETE STRENGTH OF 3000 PSI AT 28 DAYS IS REQUIRED

CONCRETE SLAB DETAILS

8 7 6 5 4 3 2 1

UNLESS OTHERWISE SPECIFIED:
 DIMENSIONS ARE IN INCHES (mm)
 TOLERANCES:
 FRACTIONAL: ± 1/16
 ANGULAR: MATCH: ± 1 BEND: ± 1
 TWO PLACE DECIMAL: ± .02 (0.51)
 THREE PLACE DECIMAL: ± .005 (0.127)
 WELDS: ± .01
 DO NOT SCALE DRAWING: N/A

AQUACLIMB
 P.O. BOX 530
 FREDERICK, MD 21705

TITLE:
ZIP'N ARCHITECTURAL

SIZE DWG. NO. REV
D 00718C_ARCHITECTURAL
 SCALE: 1:1 WEIGHT: 207032.15 SHEET 3 OF 7

THIS DRAWING HAS BEEN GENERATED AND IS MAINTAINED BY A CAD SYSTEM. CHANGES SHALL BE INCORPORATED AS DIRECTED BY THE DESIGN ACTIVITY

8

7

6

5

4

3

2

1

D

D

C

C

B

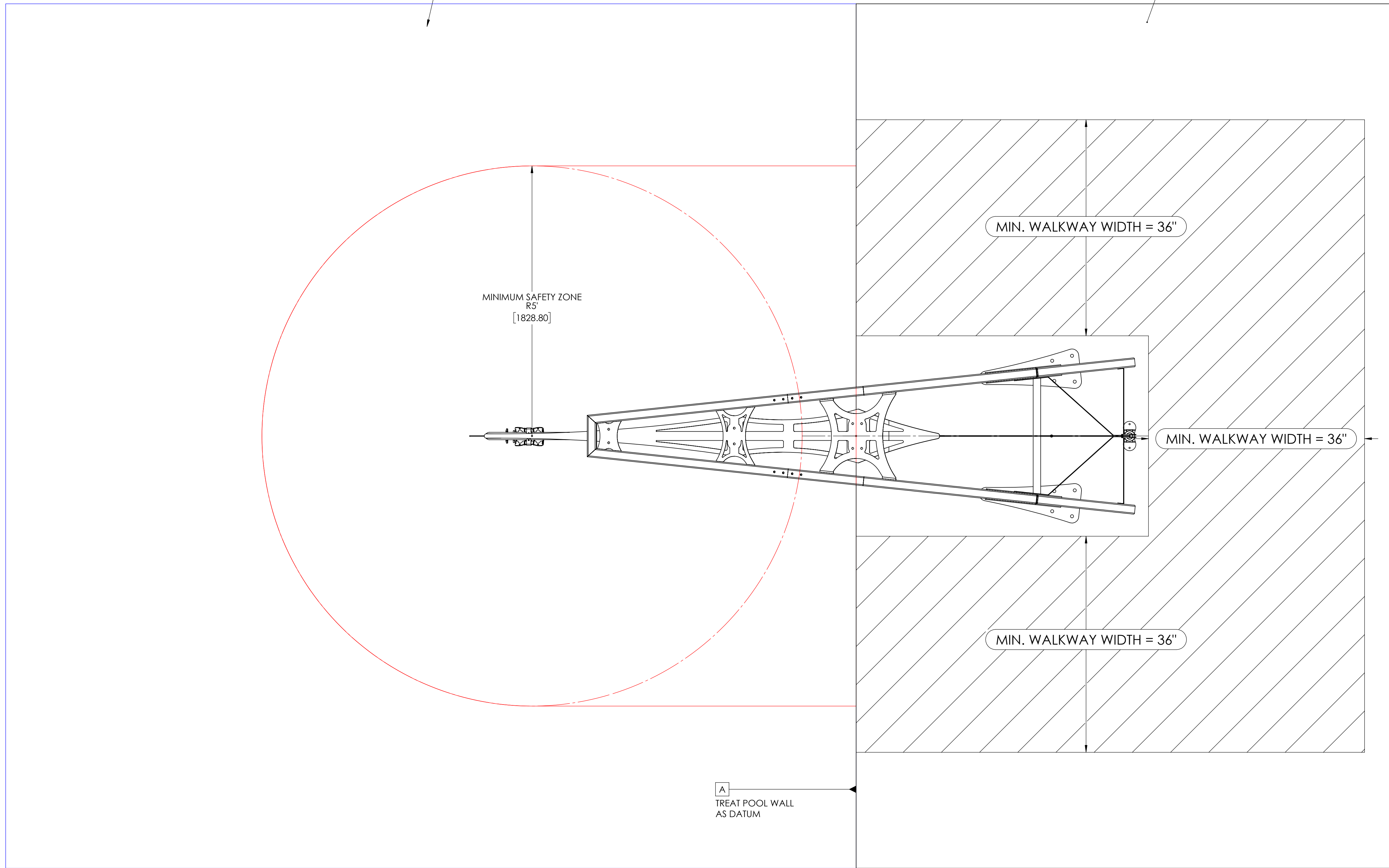
B

A

A

(WATER)

(DECK)



MINIMUM SAFETY ZONE
R5
[1828.80]

MIN. WALKWAY WIDTH = 36"

MIN. WALKWAY WIDTH = 36"

MIN. WALKWAY WIDTH = 36"

A
TREAT POOL WALL
AS DATUM

ZIP'N 2.0 PLAN VIEW
VIEWED FROM ABOVE

SAFETY ZONES

UNLESS OTHERWISE SPECIFIED:
 DIMENSIONS ARE IN INCHES (mm)
 TOLERANCES:
 FRACTIONAL: ± 1/16
 ANGULAR: MAX± 1 BEND ± 1
 TWO PLACE DECIMAL: ± .02 (0.51)
 THREE PLACE DECIMAL: ± .005 (0.127)
 WELDS: 1/8
 DO NOT SCALE DRAWING N/A

AQUACLIMB
 P.O. BOX 530
 FREDERICK, MD 21705

TITLE:
ZIP'N ARCHITECTURAL

SIZE	DWG. NO.	REV
D	00718C_ARCHITECTURAL	

SCALE: 1:1 WEIGHT: 207032.15 SHEET 4 OF 7

THIS DRAWING HAS BEEN GENERATED AND IS MAINTAINED BY A CAD SYSTEM. CHANGES SHALL BE INCORPORATED AS DIRECTED BY THE DESIGN ACTIVITY

8

7

6

5

4

3

2

1

8

7

6

5

4

3

2

1

D

D

C

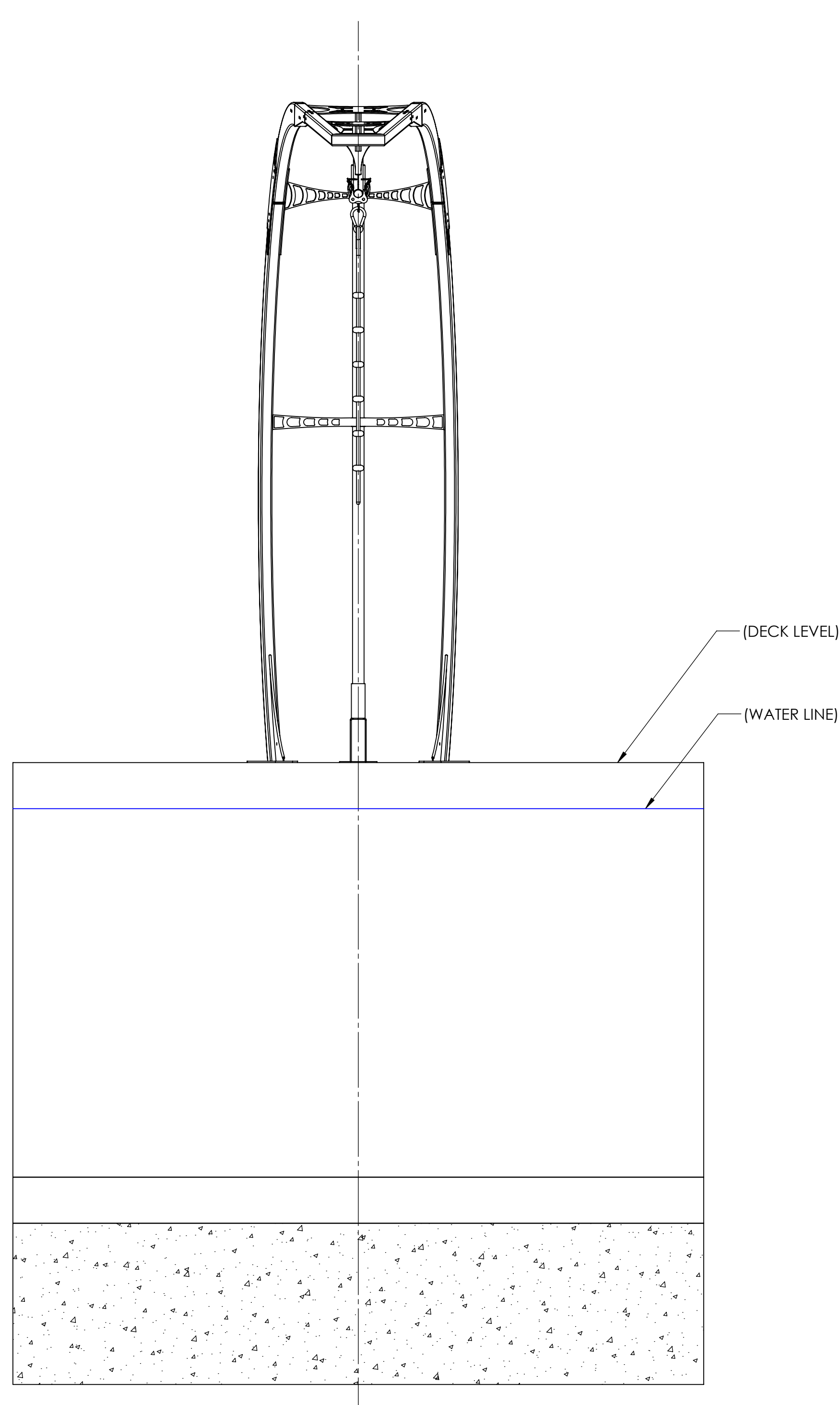
C

B

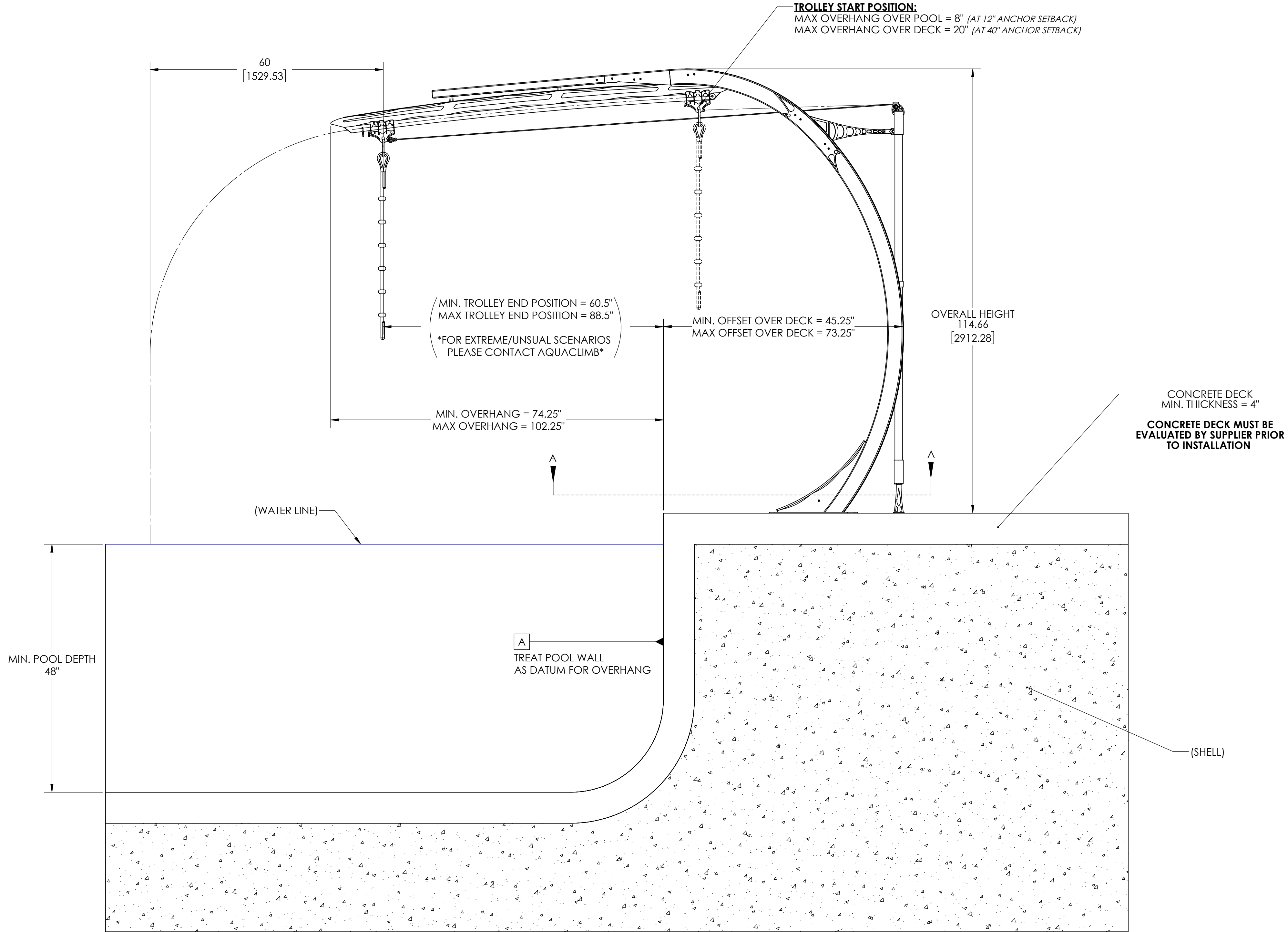
B

A

A



ZIP'N 2.0 ELEVATION VIEW
VIEWED LOOKING AT FRONT



ZIP'N 2.0 ELEVATION VIEW
VIEWED LOOKING AT SIDE

SPATIAL REQUIREMENTS

8

7

6

5

4

3

2

1

UNLESS OTHERWISE SPECIFIED:
DIMENSIONS ARE IN INCHES (mm)
TOLERANCES:
FRACTIONAL: 1/16
ANGULAR: MACH: 1 BEND: ±1
TWO PLACE DECIMAL: ±.02 (0.51)
THREE PLACE DECIMAL: ±.005 (0.127)
WELDS: 1/8
DO NOT SCALE DRAWING: N/A

AQUACLIMB
P.O. BOX 530
FREDERICK, MD 21705

TITLE:
ZIP'N ARCHITECTURAL

SIZE DWG. NO. REV
D 00718C_ARCHITECTURAL

SCALE: 1:1 WEIGHT: 207032.15 SHEET 5 OF 7

THIS DRAWING HAS BEEN GENERATED AND IS MAINTAINED BY A CAD SYSTEM. CHANGES SHALL BE INCORPORATED AS DIRECTED BY THE DESIGN ACTIVITY

PROPRIETARY AND CONFIDENTIAL
THE INFORMATION CONTAINED IN THIS DRAWING IS THE SOLE PROPERTY OF PYRAMIDE USA, ANY REPRODUCTION IN PART OR AS A WHOLE WITHOUT THE WRITTEN PERMISSION OF PYRAMIDE USA IS PROHIBITED.

CONCRETE DECK
MIN. THICKNESS = 4"
CONCRETE DECK MUST BE EVALUATED BY SUPPLIER PRIOR TO INSTALLATION

A
TREAT POOL WALL AS DATUM FOR OVERHANG

(SHELL)

8

7

6

5

4

3

2

1

D

D

C

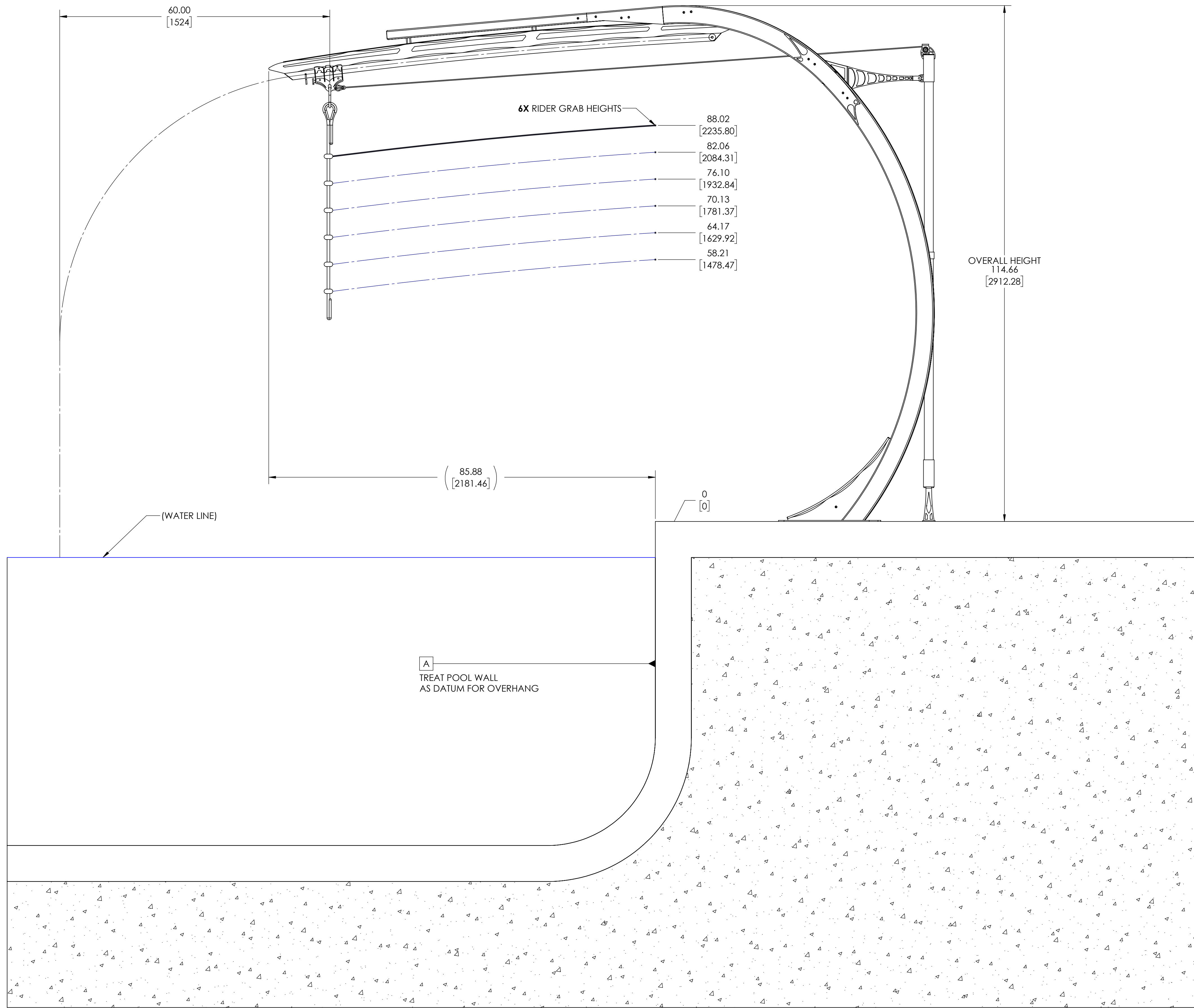
C

B

B

A

A



RIDER GRAB HEIGHTS

ZIP'N 2.0 ELEVATION VIEW VIEWED LOOKING AT SIDE

THIS DRAWING HAS BEEN GENERATED AND IS MAINTAINED BY A CAD SYSTEM. CHANGES SHALL BE INCORPORATED AS DIRECTED BY THE DESIGN ACTIVITY

UNLESS OTHERWISE SPECIFIED:
DIMENSIONS ARE IN INCHES (mm)
TOLERANCES:
FRACTIONAL: ± 1/16
ANGULAR: MATCH: ± 1 BEND: ± 1
TWO PLACE DECIMAL: ± .02 (0.51)
THREE PLACE DECIMAL: ± .005 (0.127)
WELDS: ± .01
DO NOT SCALE DRAWING: N/A

PROPRIETARY AND CONFIDENTIAL
THE INFORMATION CONTAINED IN THIS DRAWING IS THE SOLE PROPERTY OF PYRAMIDE USA, ANY REPRODUCTION IN PART OR AS A WHOLE WITHOUT THE WRITTEN PERMISSION OF PYRAMIDE USA IS PROHIBITED.

AQUACLIMB
P.O. BOX 530
FREDERICK, MD 21705

TITLE:
ZIP'N ARCHITECTURAL

SIZE	DWG. NO.	REV
D	00718C_ARCHITECTURAL	

SCALE: 1:1 WEIGHT: 207032.15 SHEET 6 OF 7

8

7

6

5

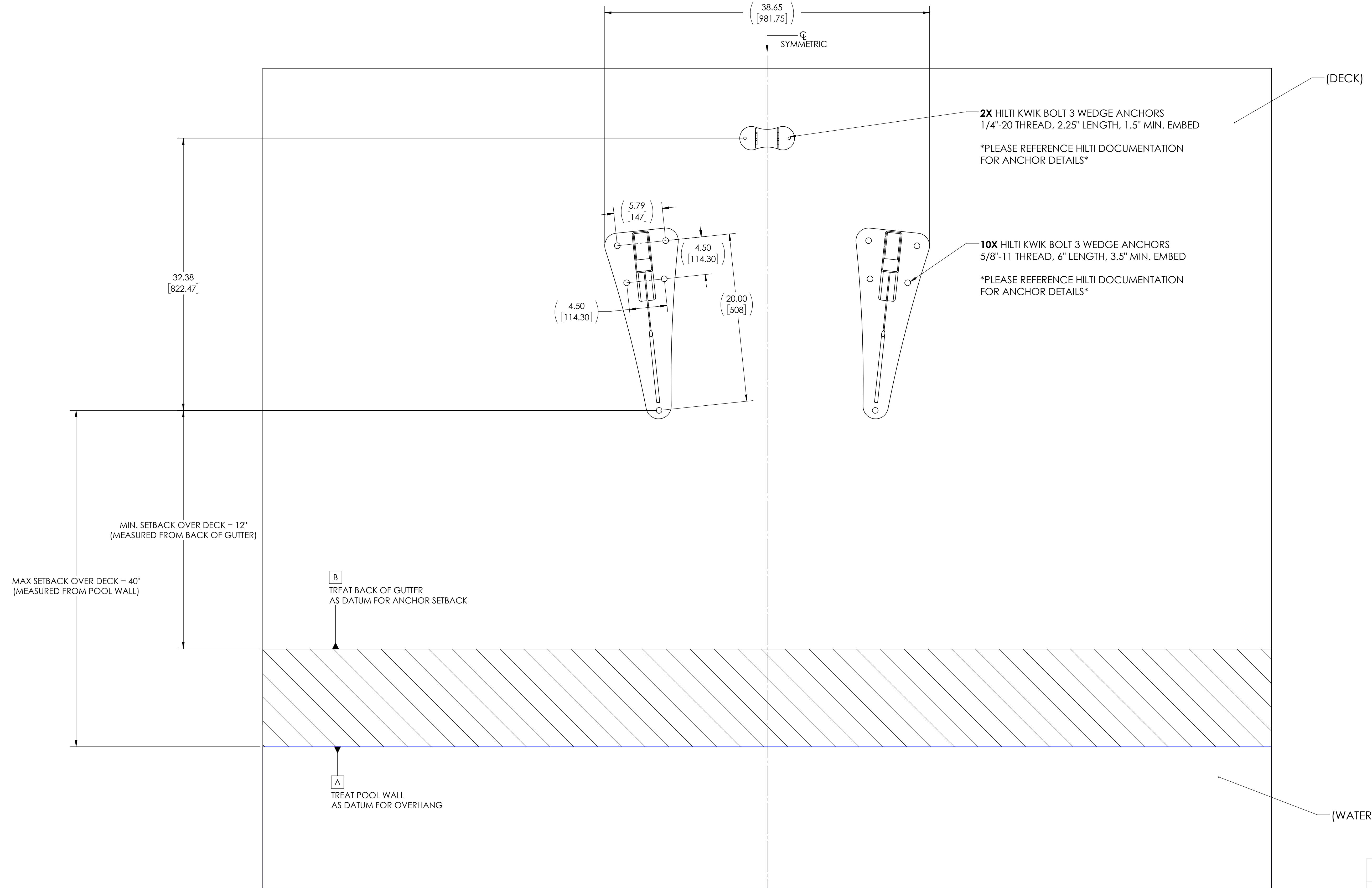
4

3

2

1

****NOTE: TROLLEY OVERHANG MUST BE NO LESS THAN 60" MEASURED FROM POOL WALL, FOR EXTREME/UNUSUAL SCENARIOS PLEASE CONTACT AQUACLIMB****



ANCHOR SETBACK/POSITIONS

SECTION A-A
SCALE 1 : 6

UNLESS OTHERWISE SPECIFIED:
DIMENSIONS ARE IN INCHES (mm)
TOLERANCES:
FRACTIONAL ± 1/16
ANGULAR: MATCH ± 1 BEND ± 1
TWO PLACE DECIMAL ± .02 (0.51)
THREE PLACE DECIMAL ± .005 (0.127)
WELOS: ±
DO NOT SCALE DRAWING N/A

AQUACLIMB
P.O. BOX 530
FREDERICK, MD 21705

TITLE:
ZIP'N ARCHITECTURAL

SIZE DWG. NO. REV
D 00718C_ARCHITECTURAL

SCALE: 1:1 WEIGHT: 207032.15 SHEET 7 OF 7

THIS DRAWING HAS BEEN GENERATED AND IS MAINTAINED BY A CAD SYSTEM. CHANGES SHALL BE INCORPORATED AS DIRECTED BY THE DESIGN ACTIVITY