

# Thermal King<sup>®</sup> Blankets and Storage Reels



7100 Spectrum Lane | Missoula MT 59808 | 800.791.8056 | [www.spectrumproducts.com](http://www.spectrumproducts.com)  
© 2012 EverActive Brands™

Rev 3/18/16

# Contents

Blanket Specifications.....	1
Pool Blanket Cleaning and Care.....	2
10 x10 and 12 x 12 Blanket Construction.....	3
10 x 14 Blanket Construction.....	4
Blanket Warranty.....	5
Storage Reel Specifications.....	6
Triple Reel Winder Drawing.....	7
Single Reel Winder Drawing.....	8
Storage Reel Assembly.....	9
Storage Reel Maintenance.....	9
Blanket Assembly.....	10
Initial Blanket and Reel Setup.....	11
Wall Mount Storage Reel Specifications.....	12
Wall Mount End Frame Views.....	13
Remote Control Storage Reel Specifications.....	14
Remote Control Reel Views.....	15
Storage Reel Warranty.....	16
Measuring Guides.....	17-19

# Thermal King Blanket Specifications

## 10 x 10 and 12 x 12 Blankets

<u>Top &amp; Bottom:</u>	3 mil. U.V. stabilized blue low-density polyethylene coating.
<u>Woven Fabric:</u>	10 x 10 U.V. stabilized Loretex woven polyethylene filament.
<u>Foam Core:</u>	0.140" thick Volara cross-linked closed-cell polyethylene foam, 2 lb density.
<u>Edge Material:</u>	12 x 12 U.V. stabilized Loretex woven polyethylene filament, double layered, hemmed. Weighted edging available.
<u>Grommets:</u>	1/2" I.D. brass with U.H.M.W. polyolefin backing plate
<u>R-Value:</u>	4.5
<u>Warranty:</u>	See Customer Service Tab for product specific warranty information

## 10 x 14 Blanket

<u>Top:</u>	3 mil. U.V. stabilized low-density polyethylene coating.
<u>Woven Fabric:</u>	12 x 12 U.V. stabilized Loretex woven polyethylene filament.
<u>Foam Core:</u>	0.140" thick Volara cross-linked closed-cell polyethylene foam, 2 lb density.
<u>Bottom:</u>	9 mil. U.V. stabilized black low-density polyethylene coating.
<u>Edge Material:</u>	12 x 12 U.V. stabilized Loretex woven polyethylene filament, double layered, and hemmed. Weighted edging available.
<u>Grommets:</u>	1/2" I.D. brass with U.H.M.W. polyolefin backing plate
<u>R-Value:</u>	4.5
<u>Warranty:</u>	See Customer Service Tab for product specific warranty information

## **Pool Blanket Storage, Cleaning, and Care**

**NEVER, UNDER ANY CIRCUMSTANCES ARE YOU TO "SHOCK" YOUR POOL WITH THE BLANKET ON THE WATER!!!**

**DO NOT USE THE COVER UNTIL THE CHLORINE LEVEL RETURNS TO THE NORMAL LEVEL FOR YOUR POOL!!**

The high concentration of chlorine during shocking damages the blanket material **AND WILL VOID ALL WARRANTIES!!!**

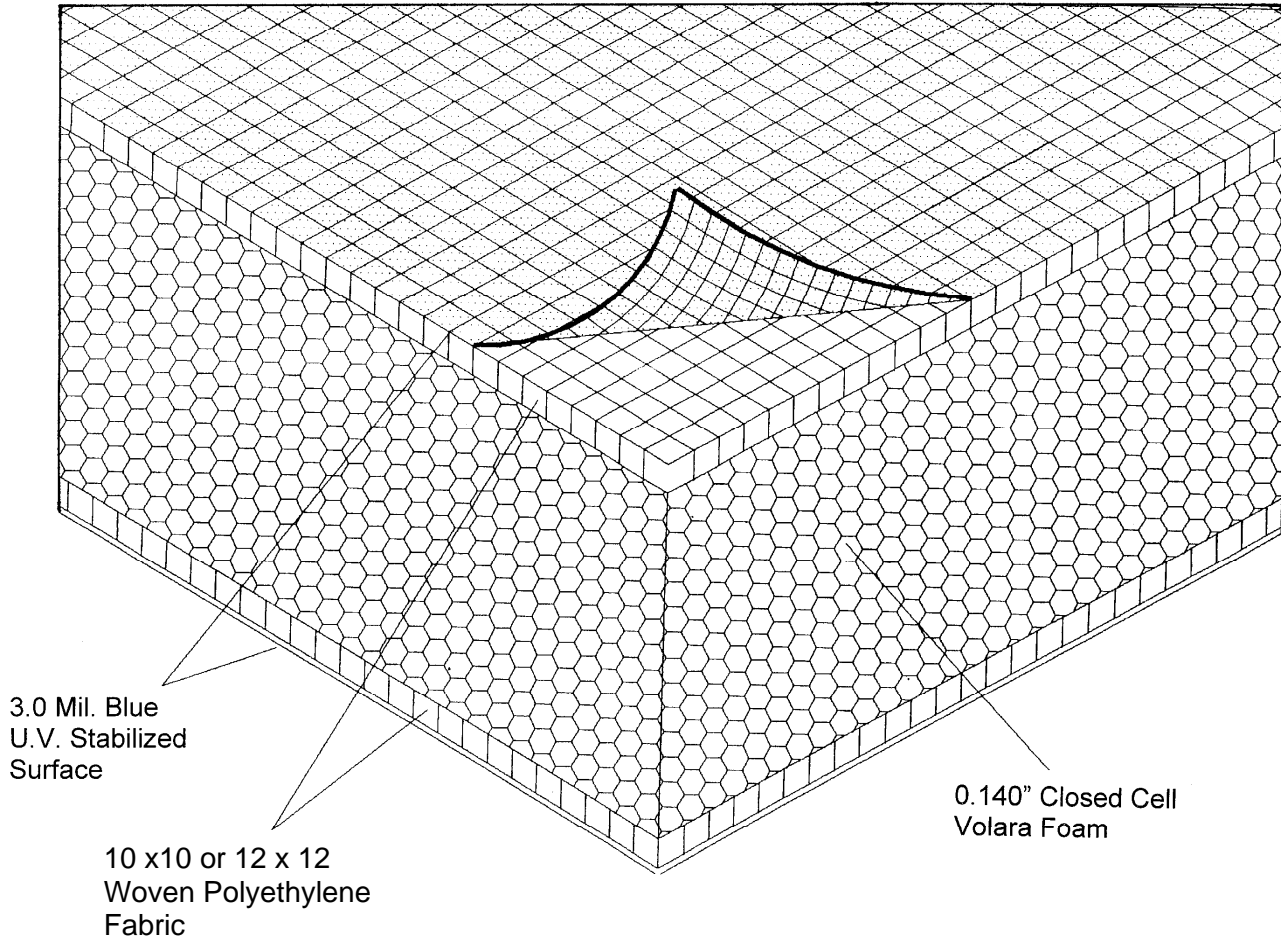
Do not reel blankets over lane lines or other pool features as this may cause damage to the blanket.

Cleaning the Blanket with soap and hot water can be done at the user's discretion. Cleaning once every two weeks will help eliminate algae and dry chemical spots.

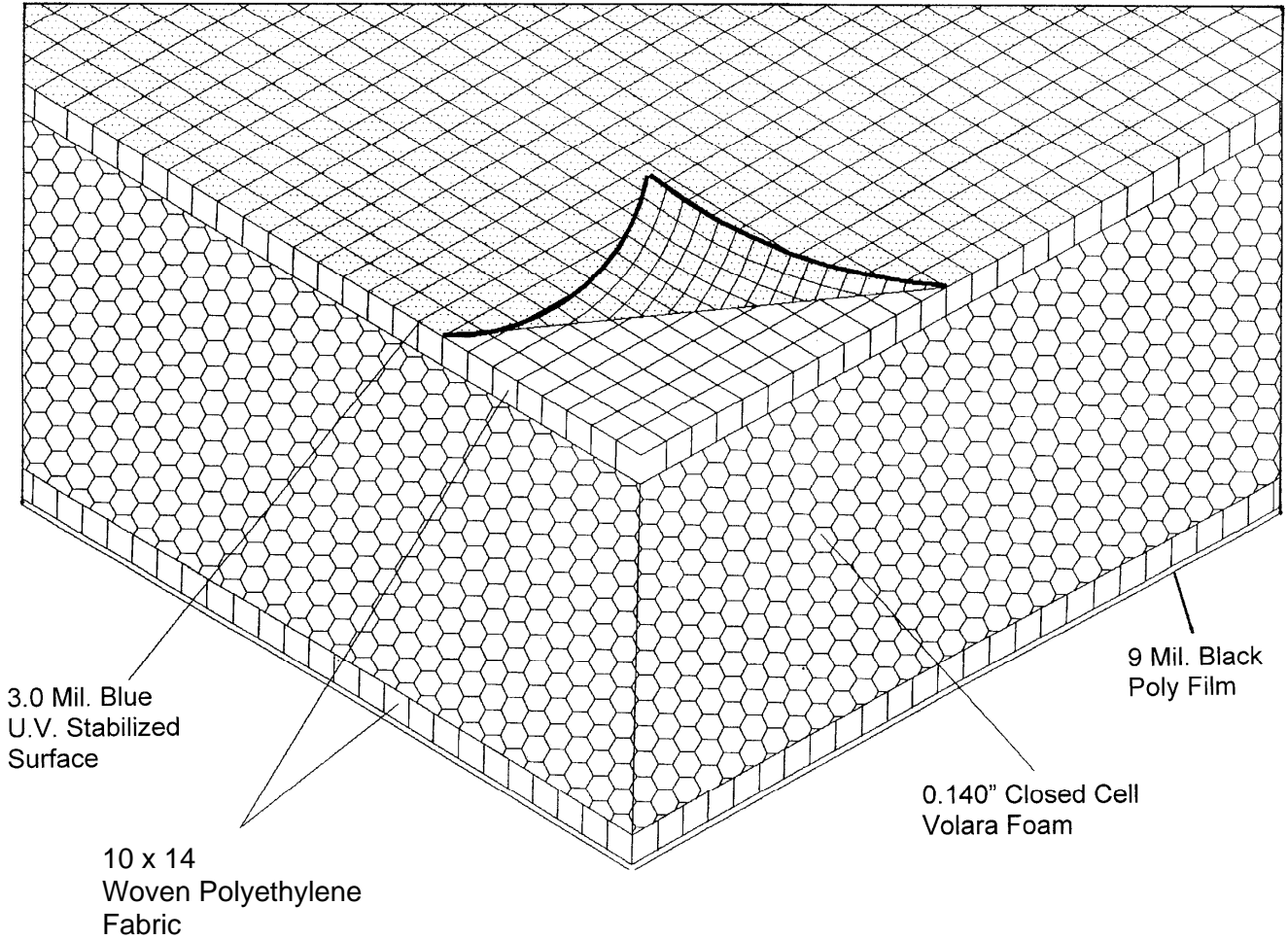
**All blankets that are stored on winders outdoors and unprotected from the elements must be covered with a UV protective cover in order to maintain the warranty. Storing blankets outdoors without protection will void all warranties.**

Questions & concerns regarding the above can be addressed by our Customer Service Department at 1-800-791-8056.

# 10 x10 and 12 x 12 Thermal King Blanket Construction



# 10 x 14 Thermal King Blanket Construction



## Pool Blanket Limited Warranty

### What is covered by this warranty?

Spectrum Aquatics® warrants all products it manufactures to be free from defects in materials and factory workmanship to the original buyer. This warranty is contingent upon the proper use and care of the equipment, and does not cover equipment that has been modified or has been subjected to abusive physical or environmental stresses. Spectrum Aquatics® agrees to repair or replace, at its sole discretion, any product that fails to perform as specified within the below scheduled timeframe after date of the original shipment from the factory unless otherwise noted. This warranty relates only to defects in materials and workmanship and does not include damage or failure resulting from other causes, including, but not limited to acts of God, misuse or abuse, accident or negligence, fire, improper installation, ice damage, or storage outdoors without a UV blocking cover. This warranty does not apply to fading of materials or to any corrosion of any metallic parts. Damage induced by the improper use of chemicals is not covered by this warranty. In the event that products are altered or repaired by anyone without the prior written approval of Spectrum Aquatics®, all warranties are voided.

### Warranty Schedule:

Product	Warranty
10x10 Pool Blanket	3 years
10x14 Pool Blanket	4 years
12x12 Pool Blanket	6 years (3 full, 3 pro-rated)

### What will Spectrum do related to the product covered by this warranty?

Provide free of charge (excluding shipping) replacement parts (new or rebuilt at Spectrum's option), but not labor to remove and install parts. Provide, F.O.B. the factory, new or reconditioned replacement product (Spectrum's option).

### What is not covered by this warranty?

Normal wear and tear, chemical damage, discoloration, misuse and any physical damage are not included in this warranty. Improper storage of the Pool Blanket System may void this warranty. This warranty does not cover damage caused by chemical action or abrasive material damage caused by handling or during transportation, or damage arising from misuse, installation or any other cause beyond the manufacturer's control. See owner's manual for recommendations related to the use and care of the product.

### How to make a warranty claim:

Contact Spectrum Aquatics®, 7100 Spectrum Lane, Missoula, MT 59808. Please include phone number, contact name and address.

### Your Rights Under State Law:

This warranty gives you specific legal rights, and you may also have other rights, which vary from state to state. Spectrum Aquatics® disclaims all liability for damage during transportation, for incidental, special or consequential damage of whatever nature, for damage due to handling, installation, or improper operation, or for damage caused by circumstances beyond Spectrum Aquatics®' control; in no event shall recovery of any kind against Spectrum Aquatics® be greater in amount than the purchase price of the equipment sold by Spectrum Aquatics® that caused alleged damage. Spectrum Aquatics® makes no warranties either expressed or implied, including any warranty of merchantability or fitness for particular purpose, other than these stated. Some states do not allow the exclusion or limitation of incidental or consequential damages, or limitations on how long on implied warranty lasts, so the above exclusions may not apply to you. No representative has authority to change or modify this warranty in any respect.

Representative:

Date of Purchase:

## Storage Reel Specifications

### Portable Models

Main Tubes: 4" schedule 10 stainless steel (4 1/2" O.D. x .120" wall) with 1" stainless steel shaft, 3/4" milled ends, double hub welded both internal and external to main tube

Frames: 1.66" O.D. x .109" wall stainless steel tube polished and buffed, solid weldments to a 11" x 3-3/4" x 3/16" plate with 1-1/2" x 3/16" weldment gussets. Horizontal connectors to be 1" x 2" x .065" wall stainless steel tube.

Casters: 2" x 6" swivel style stainless steel with polyethylene wheels.

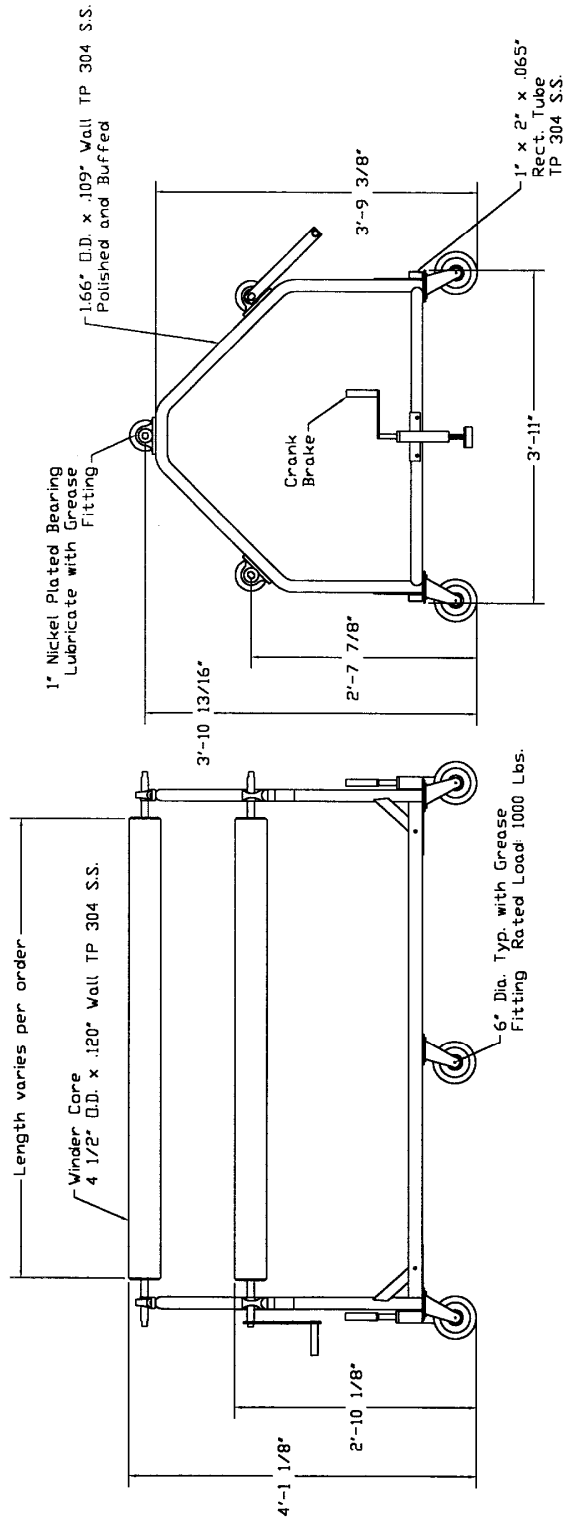
Bearings: "Link Belt" nickel-plated pillow block bearings with grease fittings. Bearings rated for 2420 lbs. radial load at 500 R.P.M. Non-nickel plated bearings unacceptable.

Weldments: All weldments to comply with AWS standards and to be performed by certified welders.

Operation: Shaft ends are milled to accept a 1'-2" long stainless steel crank handle. An optional 24" stainless steel wheel with spokes is available.

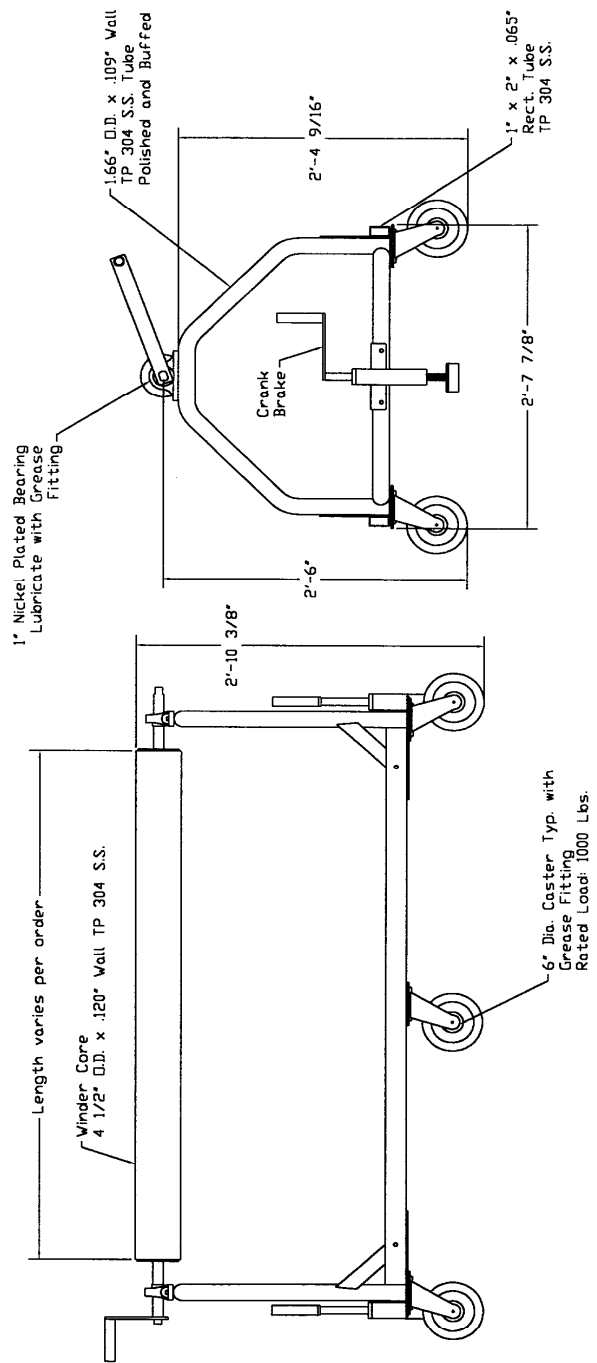
Hardware: Complete stainless steel schedule.





Scale: NTS

# Thermal King Winder Triple

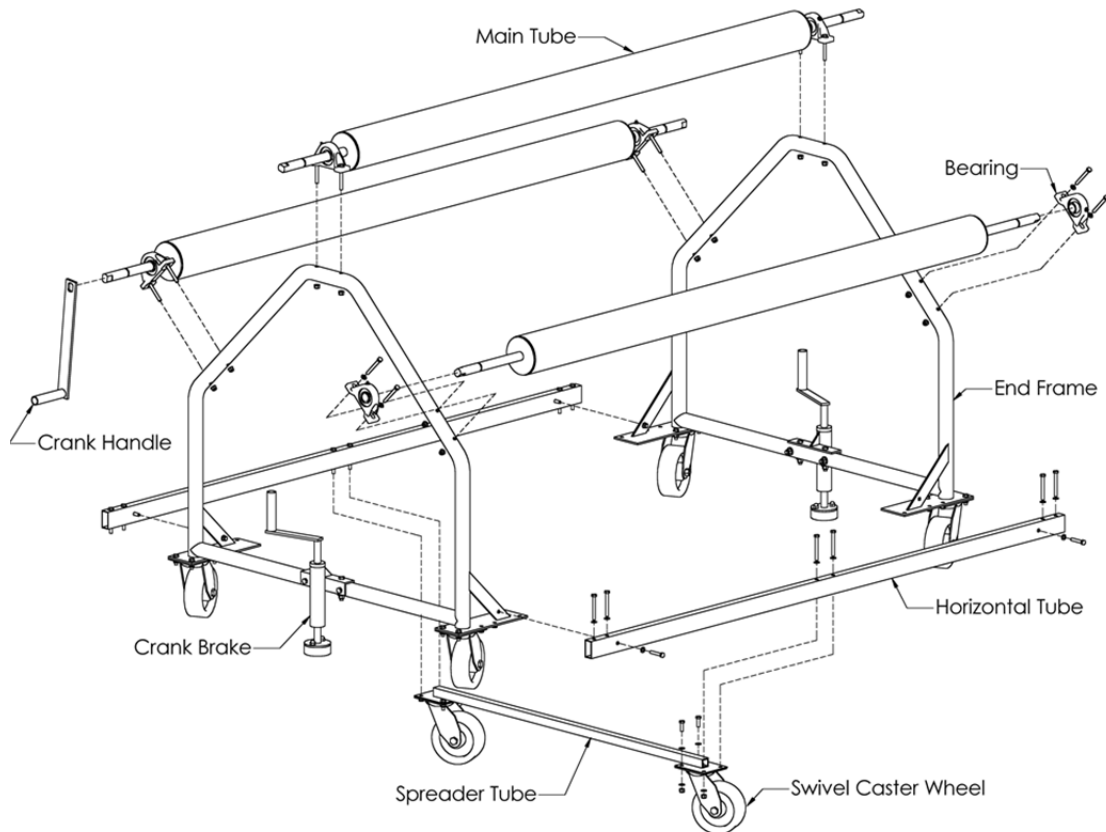


Scale: NTS

# Thermal King Winder Single

# Storage Reel Assembly Instructions

## Portable Models



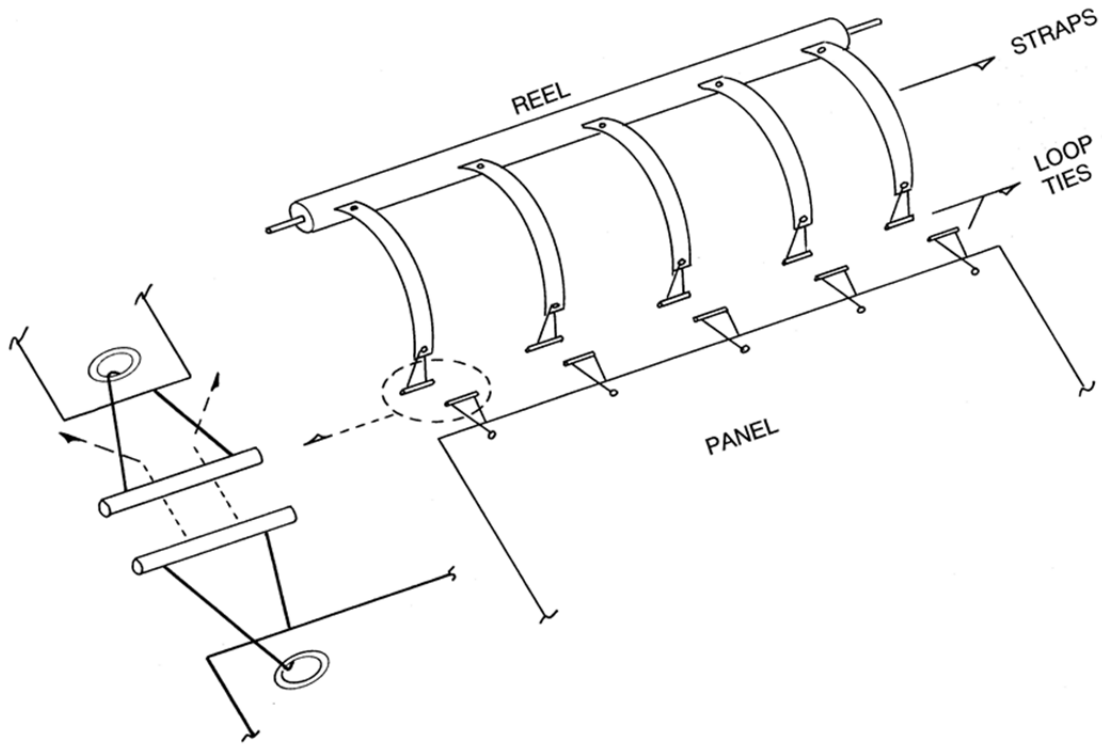
Exploded View

1. The above figure represents the actual components as they will be received. All casters, bearings, brakes, etc. are pre-assembled prior to shipment, as shown.
2. On a flat surface, bolt the spreader tube to the horizontal tubes. Finger tighten only.
3. Bolt the horizontal tubes to the base of the end frames
4. Bolt the main tubes to the end frames via bearing housing.
5. Tighten all nuts and bolts.
6. Adjust the main tube tension by tightening upper bearing bolts.
7. The unit is now completely assembled.

## Maintenance

Because of its unique design, this unit is virtually maintenance free. Its “solid stainless steel” construction ensures many years of trouble free service. The bearings and casters are non-corrosive and can be maintained with periodic lubrication. We also suggest that the facility check all bolts for tightness periodically. Any discoloration can be removed with a non-chlorine kitchen cleanser, water, and a 3M abrasive pad. Rinse thoroughly with water and apply auto wax or clear coat lacquer (optional) after cleaning to maintain appearance.

## Thermal King Blanket Assembly

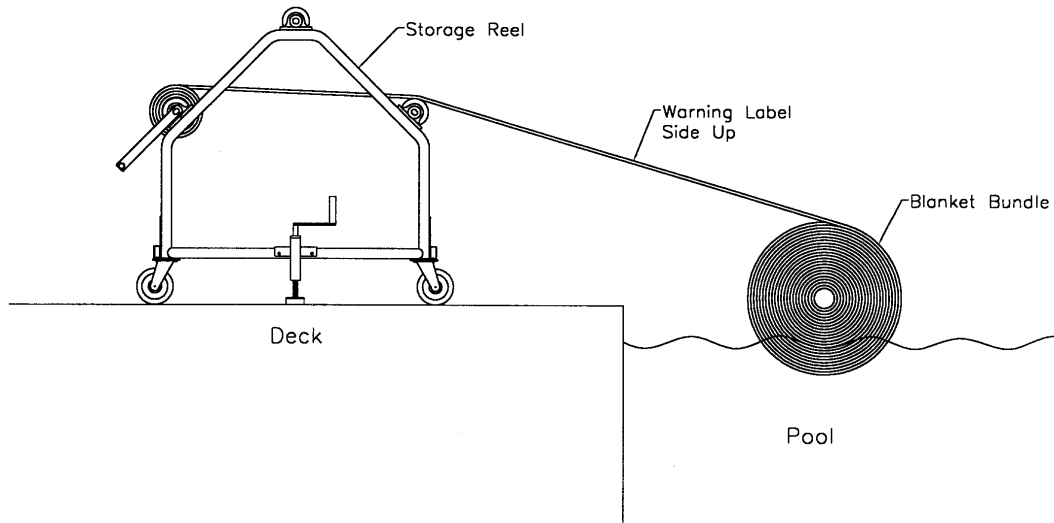


The diagram above shows the typical attachment of a blanket to a winder reel. The loop ties attached through the grommets in the blanket are “twisted” through the loop ties in the lead straps, which are mounted to the winder tube.

Similar to the diagram above, multiple blanket panels can be attached together using loop ties between panels. Be careful not to exceed the maximum length of blanket on any individual reel tube.

## Winder and Blanket Setup

The following diagram shows how to initially install your Thermal King® Blankets on a winder.



1. Unwrap the blanket bundle.
2. Place the rolled blanket in the pool with the warning label side up.
3. Attach the loop ties on the blanket to the loop ties on the storage reel lead straps.
4. Wind the blanket onto the storage reel.

## Storage Reel Specifications

### Wall Mounted Manual Model

Main Tube: 4" schedule 10 stainless steel (4-1/2" O.D. x .120" wall) with 1" stainless steel shaft, 3/4" milled ends, double hub welded both internal and external to main tube.

End Frames: 2" x .120" square stainless steel tube polished and buffed with solid weldments to 3/16" x 6-1/4" stainless steel wall plate. Frames include an external gusset weldment to a 3/16" x 6-1/4" stainless steel wall plate to prevent lateral deflection.

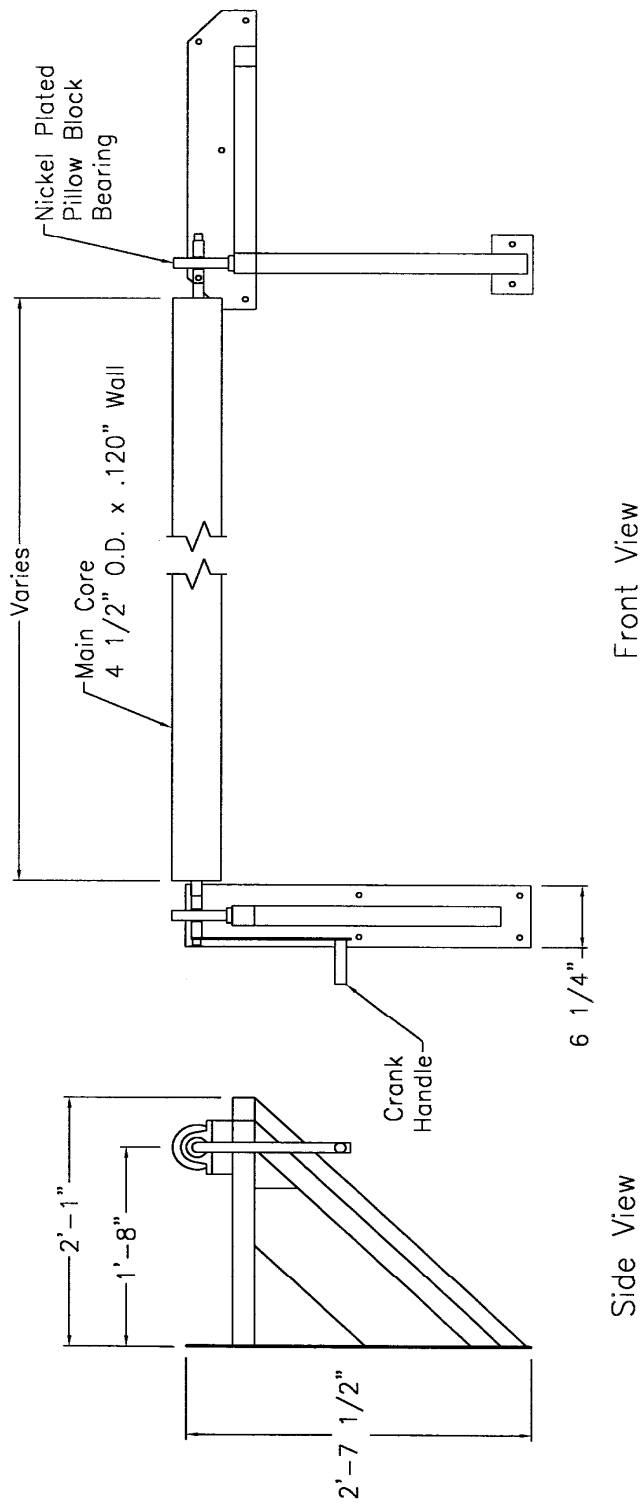
Bearings: "Link Belt" nickel-plated pillow block bearings with grease fittings. Bearings rated for 2420 lbs. radial load at 500 R.P.M. Non-nickel plated bearings unacceptable.

Weldments: All weldments to comply with AWS standards and to be performed by certified welders.

Operation: Shaft ends are milled to accept a 1'-2" long stainless steel crank handle. An optional 24" stainless steel wheel with spokes is available.

Hardware: Complete stainless steel schedule.

Anchoring: 3/16" x 2" stainless steel backing plates are provided for the opposite side of the wall that the frames are mounted to. 1/2" x 16" stainless steel all-thread with nylock nuts and flat washers are provided for mounting frames to wall.



# Wall Mount Storage Reel

## Manual Model

## Storage Reel Specifications

### Radio Control Automatic Wall Mounted Model

Main Tube: 4" schedule 10 stainless steel (4-1/2" O.D. x .120" wall) with 1" stainless steel shaft, 3/4" milled ends, double hub welded both internal and external to main tube.

End Frames: 2" x .120" square stainless steel tube polished and buffed with solid weldments to 3/16" x 6-1/4" stainless steel wall plate. Frames include an external gusset weldment to a 3/16" x 6-1/4" stainless steel wall plate to prevent lateral deflection.

Motor: 120 volt gear motor which develops 700 ft-lbs of torque. Assembly contained within NEMA 4X enclosure.

Control & 20 volt, wall mounted, key switch and with a remote radio

Operation: transmitter.

Bearings: "Link Belt" nickel-plated pillow block bearings with grease fittings. Bearings rated for 2420 lbs. radial load at 500 R.P.M. Non-nickel plated bearings unacceptable.

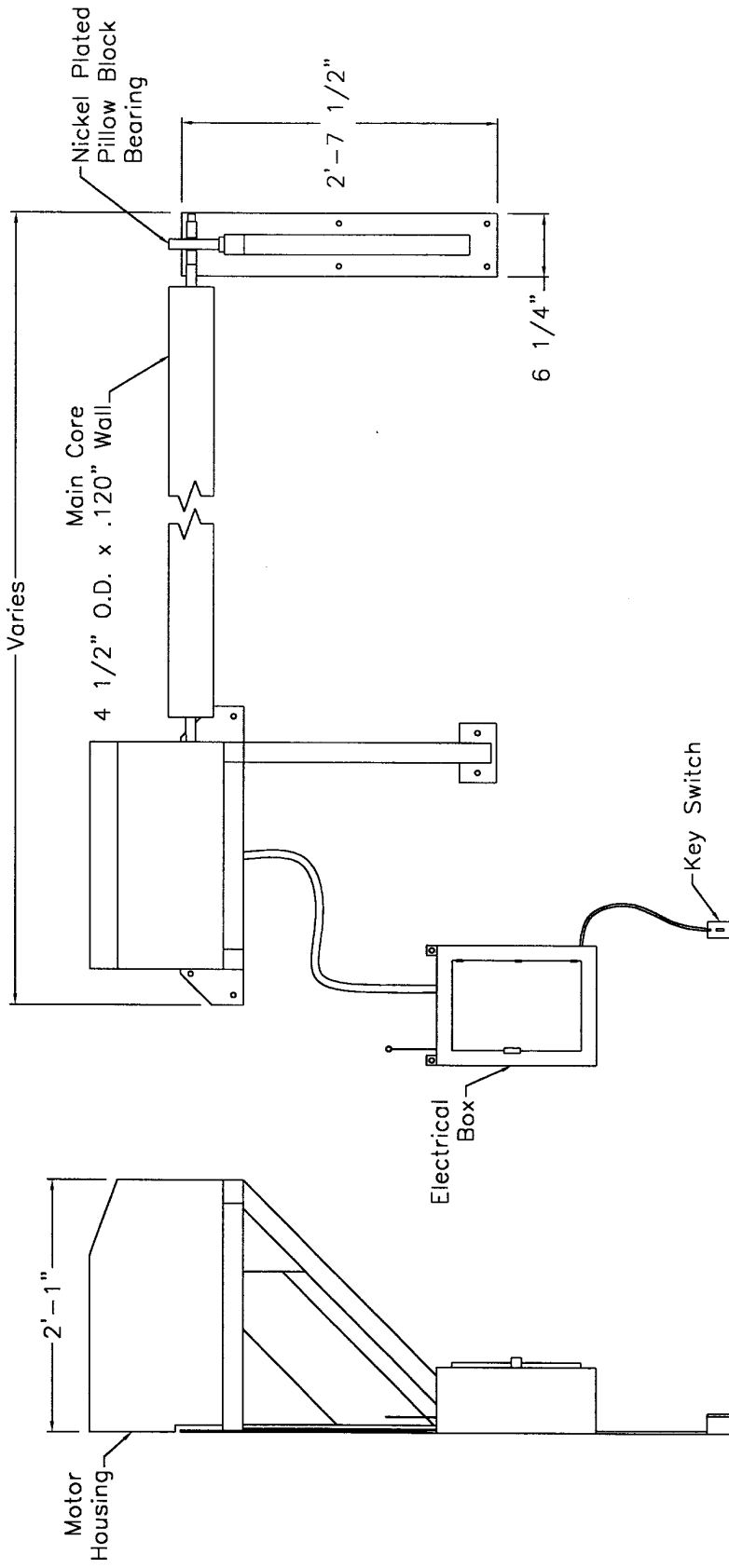
Weldments: All weldments to comply with AWS standards and to be performed by certified welders.

Hardware: Complete stainless steel schedule.

Anchoring: 3/16" x 2" stainless steel backing plates are provided for the opposite side of the wall that the frames are mounted to. 1/2" x 16" stainless steel all-thread with nylock nuts and flat washers are provided for mounting frames to wall.

Code Certification: Spectrum Products certifies that each unit satisfies standards set forth by the AWS (American Welding Society), NEC (National Electric Code), and UBS (Unified Building Code) for welding standards, structural integrity, and electrical components. All materials and weldments are thoroughly tested and inspected prior to shipment. Electrical components are UL recognized. It is the sole responsibility of the installer to provide final electrical connections in compliance with local codes.





Front View

Side View

# Wall Mount Storage Reel

## Radio Control Automatic Model

## Two (2) Year Limited Warranty

### What is covered by this warranty?

Spectrum Products® warrants all products it manufactures to be free from defects in materials and factory workmanship to the original buyer. This warranty is contingent upon the proper use and care of the equipment, and does not cover equipment that has been modified or has been subjected to abusive physical or environmental stresses. Spectrum Products® agrees to repair or replace, at its sole discretion, any product that fails to perform as specified within 24 months after date of the original shipment from the factory unless otherwise noted.

This warranty relates only to defects in materials and workmanship and does not include damage or failure resulting from other causes, including, but not limited to acts of God, misuse or abuse, accident or negligence, fire, improper installation or ice damage. This warranty does not apply to fading of materials or to any corrosion of any metallic parts. Damage induced by the improper use of chemicals is not covered by this warranty. In the event that products are altered or repaired by anyone without the prior written approval of Spectrum Products®, all warranties are voided.

### What will Spectrum do related to the product covered by this warranty?

Provide free of charge (excluding shipping) replacement parts (new or rebuilt at Spectrum's option), but not labor to remove and install parts. Provide, F.O.B. the factory, new or reconditioned replacement product (Spectrum's option).

### What is not covered by this warranty?

Normal wear and tear, chemical damage, discoloration, misuse and any physical damage are not included in this warranty. See owner's manual for recommendations related to the use and care of the product. Improper storage of the Swimming Pool Blanket System or Spa Sheet may void this warranty.

### How to make a warranty claim:

Contact Spectrum Products®, 7100 Spectrum Lane, Missoula, MT 59808.

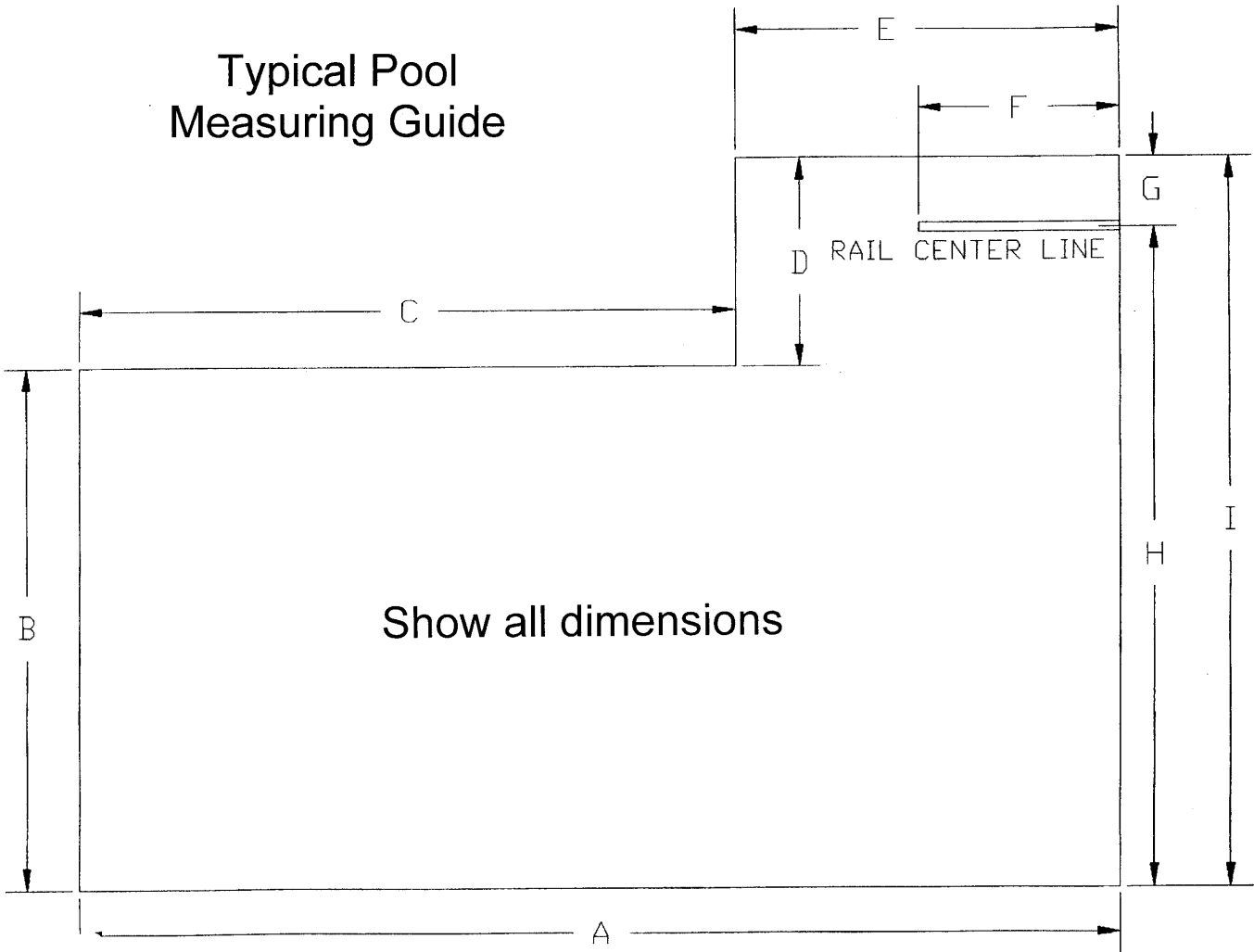
### Your Rights Under State Law:

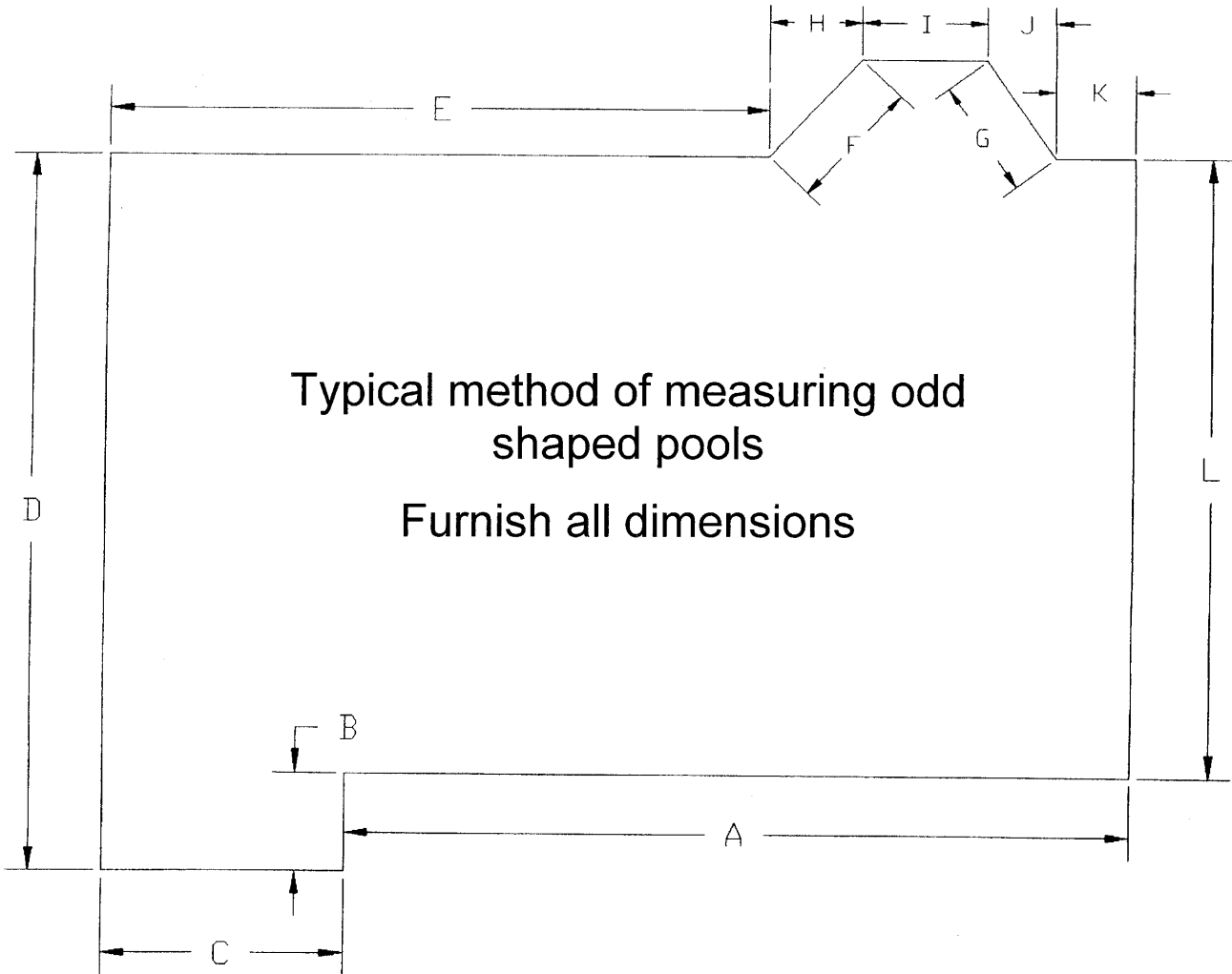
*This warranty gives you specific legal rights, and you may also have other rights, which vary from state to state. Spectrum Products® disclaims all liability for damage during transportation, for incidental, special or consequential damage of whatever nature, for damage due to handling, installation, or improper operation, or for damage caused by circumstances beyond Spectrum Products®' control; in no event shall recovery of any kind against Spectrum Products® be greater in amount than the purchase price of the equipment sold by Spectrum Products® that caused alleged damage. Spectrum Products® **makes no warranties either expressed or implied, including any warranty of merchantability or fitness for particular purpose, other than these stated.** Some states do not allow the exclusion or limitation of incidental or consequential damages, or limitations on how long an implied warranty lasts, so the above exclusions may not apply to you. **No representative has authority to change or modify this warranty in any respect.***

Representative:

Date of Purchase:

# Typical Pool Measuring Guide





# Measuring Rounded Corners

