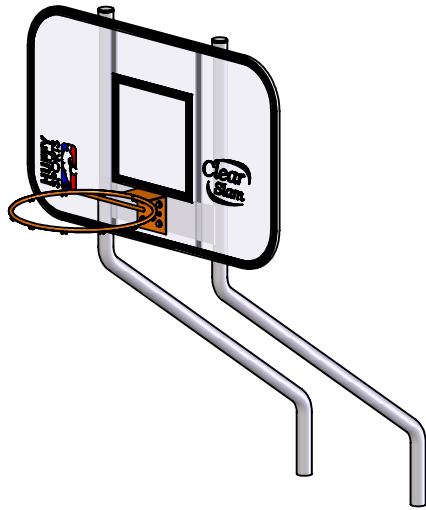
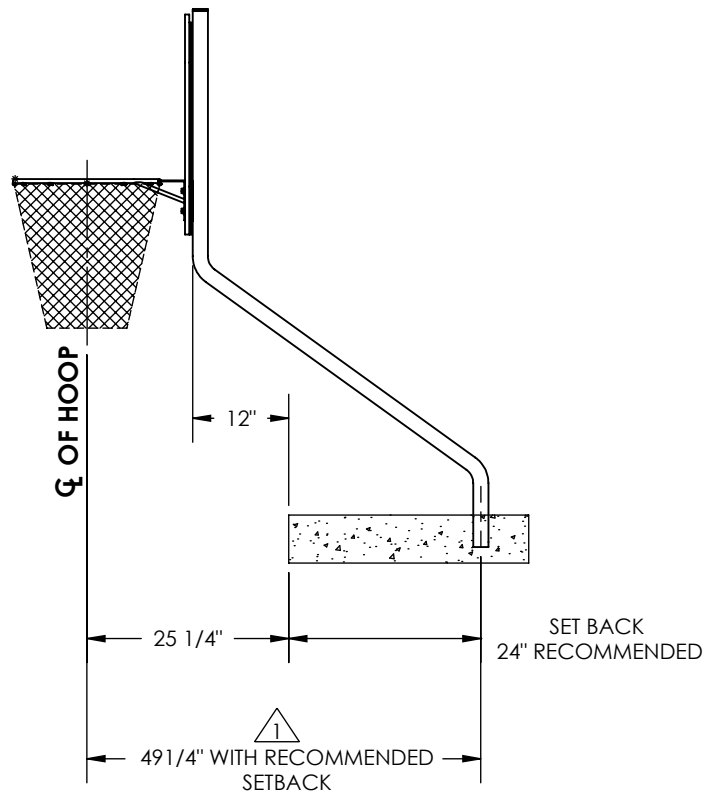
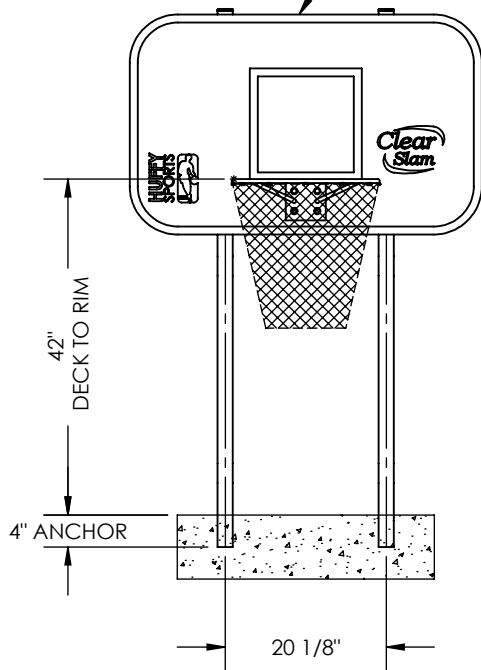


DECK EQUIPMENT MODEL - DUAL-POST HOOP



BACKBOARD DESIGN MAY VARY ON AVAILABILITY.



NOTE:

1 DIMENSIONS VARY WITH SPECIFIC APPLICATIONS. SPECIFICATIONS ARE NOMINAL AND ARE SUBJECT TO CHANGE. PLEASE CONTACT SPECTUM PRODUCTS FOR CUSTOM APPLICATIONS.

SPECTRUM
Products

7100 Spectrum Lane
Missoula, Montana 59808
406.542.9781 * 800.791.8056
Fax: 406.542.1158
www.spectrumproducts.com

ENGINEERING DATA

PRODUCT:	DUAL-POST HOOP
PRODUCT #:	57827
REVISION:	A
MATERIAL:	304 SERIES STAINLESS STEEL