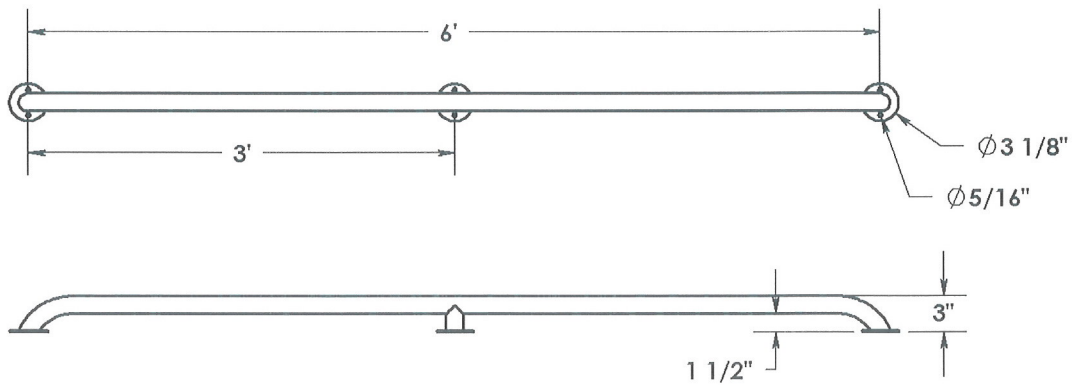
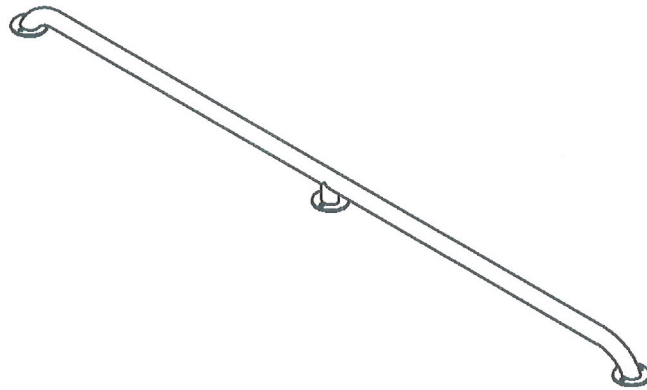


# Long Rail Series Model - 1.5-Inch O.D. x 72-Inch Heron



\*Note: Drawings not to scale. Specifications are nominal and are subject to change.

**SPECTRUM**  
**Aquatics**  
A PLAYCORE Company

7100 Spectrum Lane  
Missoula, Montana 59808  
406.543.5309 • 800.791.8056  
Fax: 406.728.7143

## ENGINEERING DATA

Product: 1.5-Inch O.D. x 72-Inch Heron  
Product #: 28716  
Date: 10/2003  
Data Sheet #: SA 28716.1003