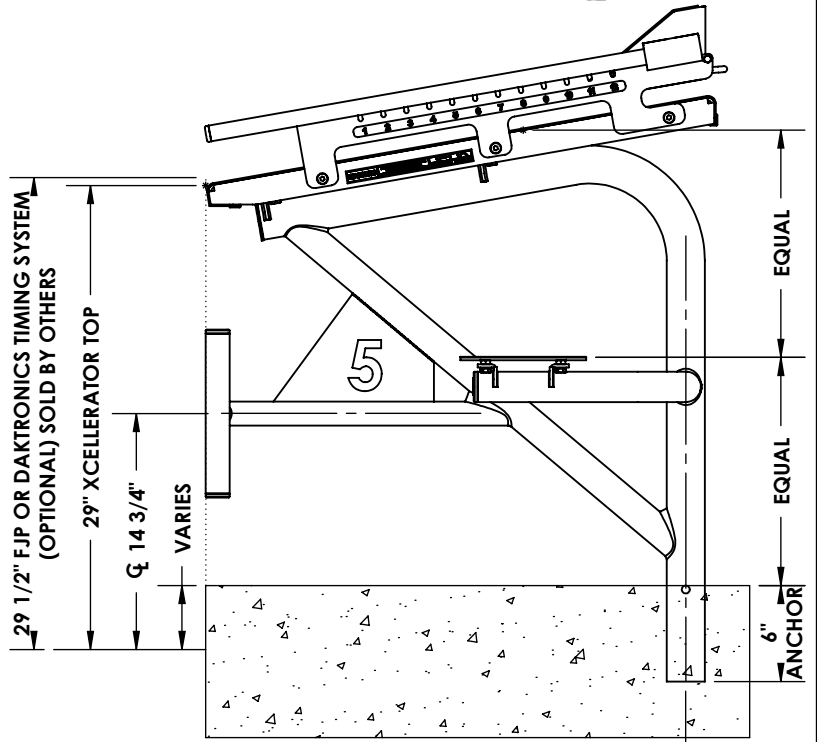
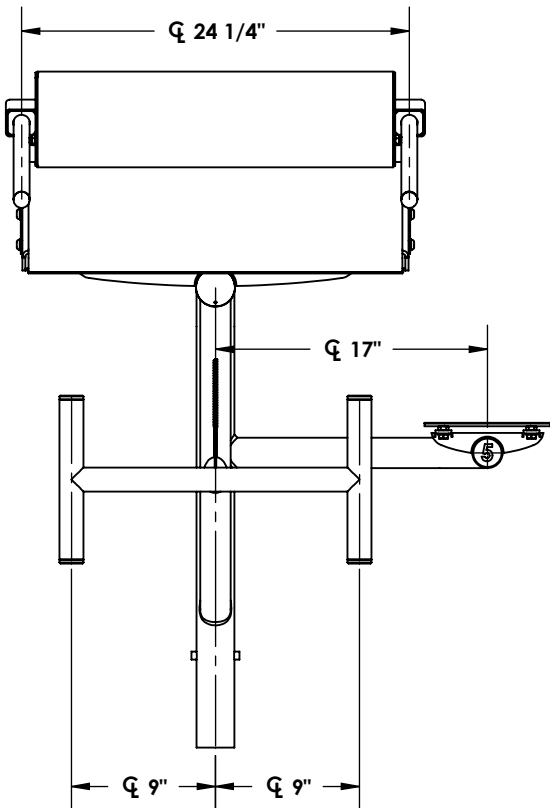
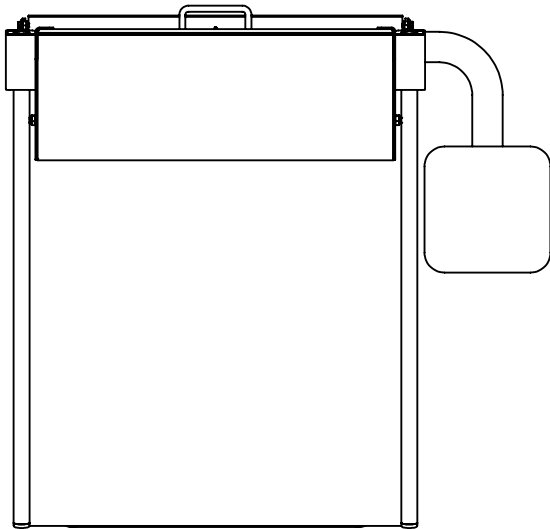


CUSTOM LOGOS AVAILABLE
FOR THE XCELLERATOR
TOP, WEDGE, AND STEP
(STANDARD COLOR - BLACK)



NOTE:

1 DIMENSIONS VARY WITH SPECIFIC APPLICATIONS.
SPECIFICATIONS ARE NOMINAL AND ARE SUBJECT TO CHANGE.
PLEASE CONTACT SPECTUM PRODUCTS FOR CUSTOM APPLICATIONS.



7100 SPECTRUM LANE
MISSOULA, MT 59808
VOICE: 406.542.9781
FAX: 406.542.1158

ENGINEERING DATA

| | |
|------------|----------------------------|
| PRODUCT: | XCELLERATOR SP |
| PRODUCT #: | 57282 |
| REVISION: | A |
| MATERIAL: | 304 SERIES STAINLESS STEEL |