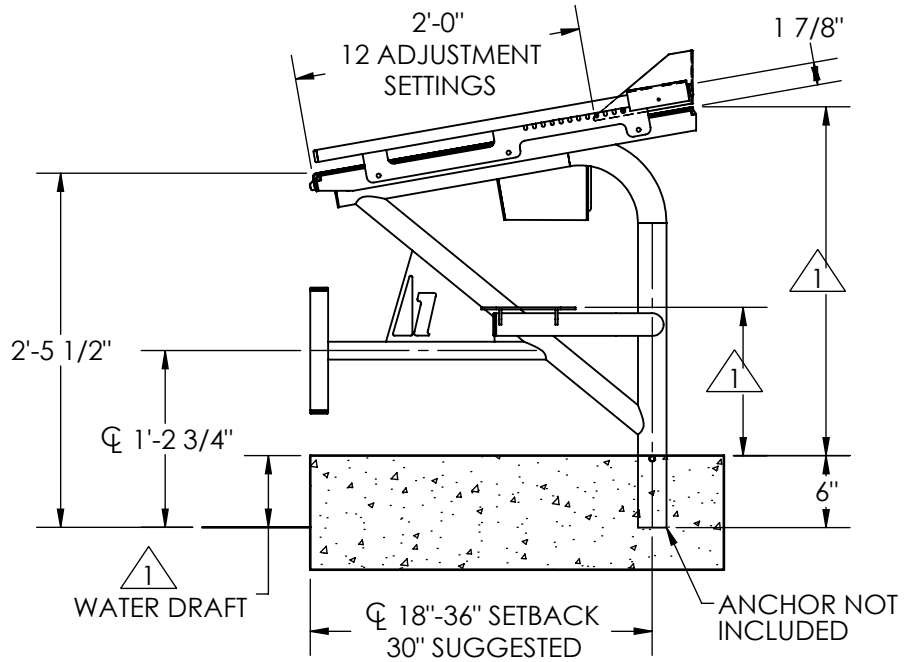
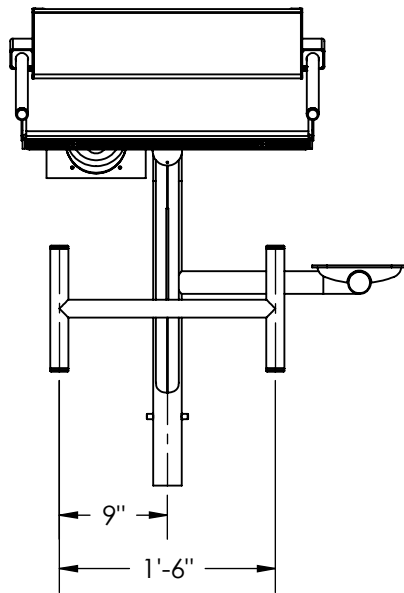
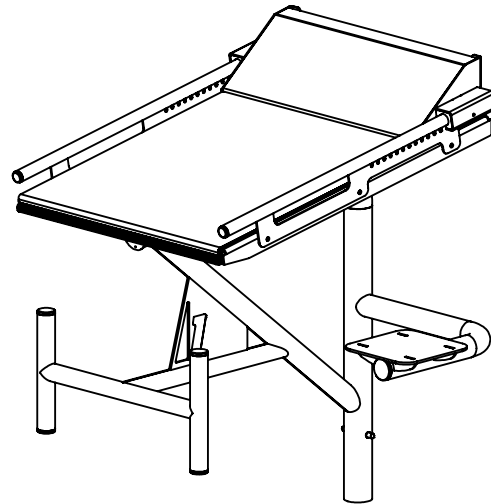
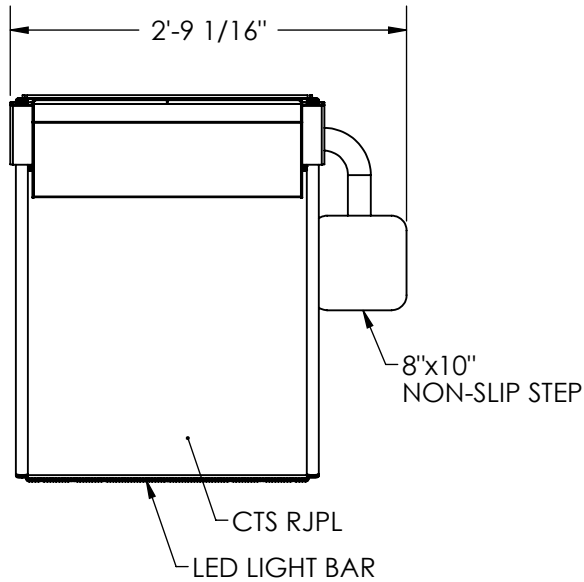


**STARTLINE  
MODEL - FUSION BY SPECTRUM**



**NOTE:**

**1** DIMENSIONS VARY WITH SPECIFIC APPLICATIONS.

**SPECTRUM**  
Products

7100 Spectrum Lane  
Missoula, Montana 59808  
406.542.9781 \* 800.791.8056  
Fax: 406.542.1158  
www.spectrumproducts.com

**ENGINEERING DATA**

PRODUCT:	FUSION BY SPECTRUM
PRODUCT #:	57281
REVISION:	A
MATERIAL:	304 SERIES STAINLESS STEEL