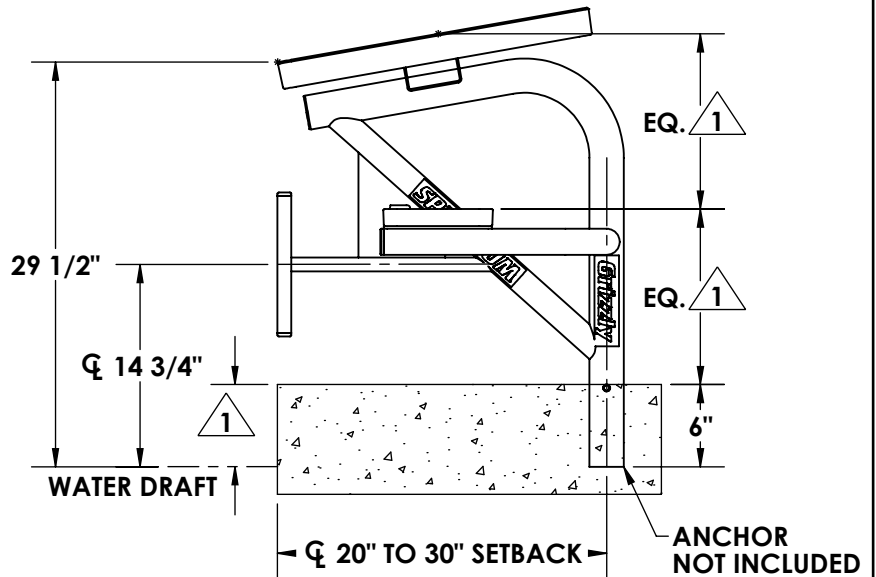
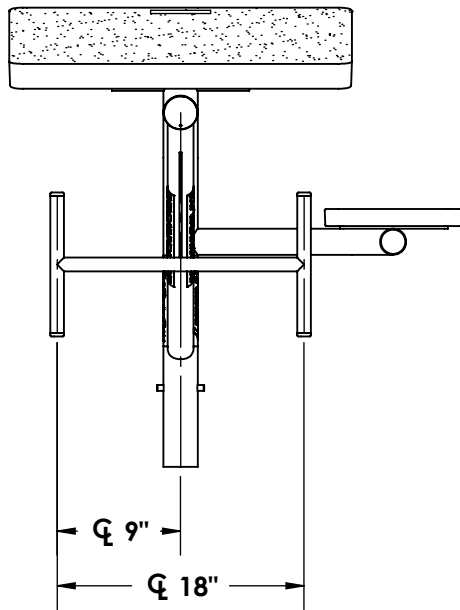
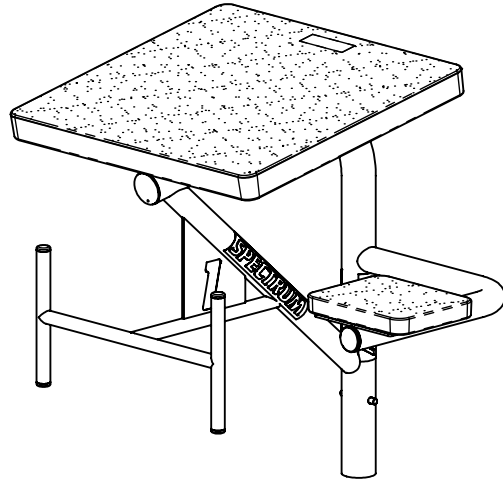
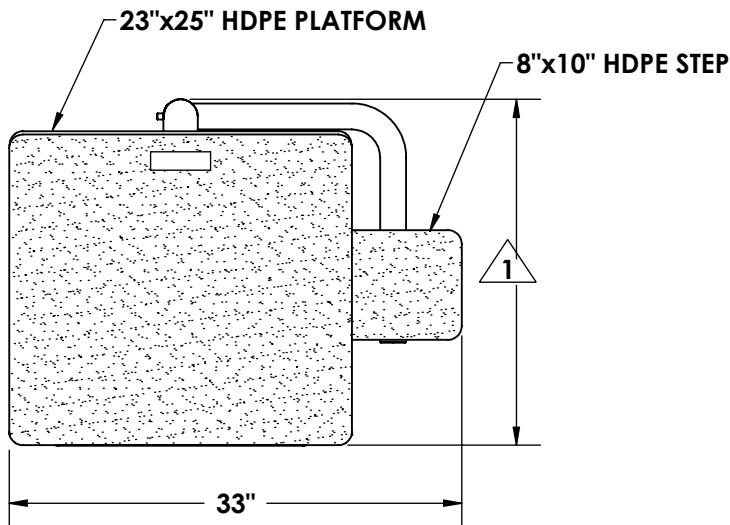


**STARTLINE  
MODEL - GRIZZLY SIDE STEP SP**



**NOTE:**

1 DIMENSIONS VARY WITH SPECIFIC APPLICATIONS.  
SPECIFICATIONS ARE NOMINAL AND ARE SUBJECT TO CHANGE.  
PLEASE CONTACT SPECTRUM PRODUCTS FOR CUSTOM APPLICATIONS.

**SPECTRUM**  
Products

7100 Spectrum Lane  
Missoula, Montana 59808  
406.542.9781 \* 800.791.8056  
Fax: 406.542.1158  
www.spectrumproducts.com

**ENGINEERING DATA**

|            |                            |
|------------|----------------------------|
| PRODUCT:   | GRIZZLY SIDE STEP SP       |
| PRODUCT #: | 21654-00                   |
| REVISION:  | A                          |
| MATERIAL:  | 300 SERIES STAINLESS STEEL |