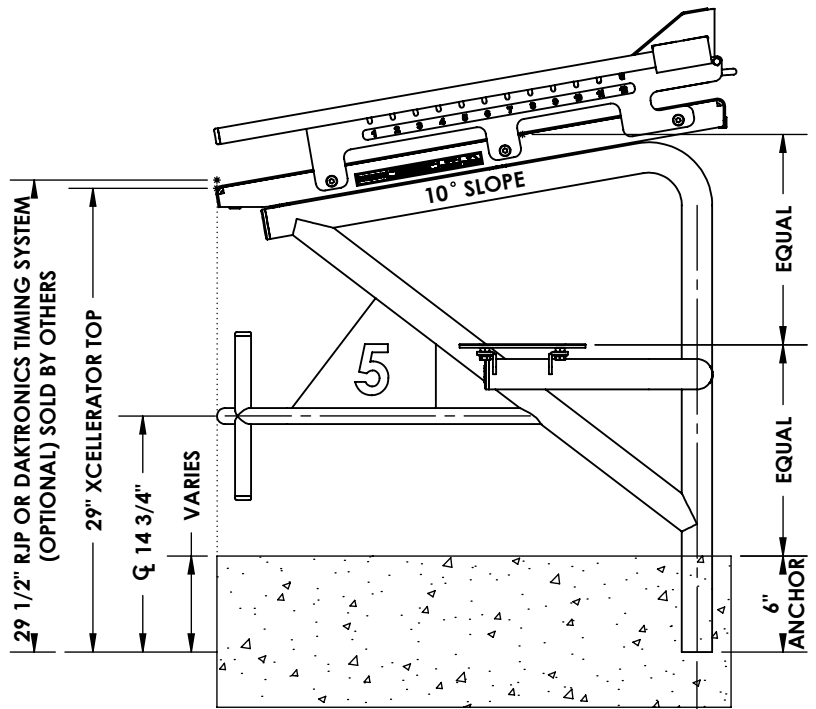
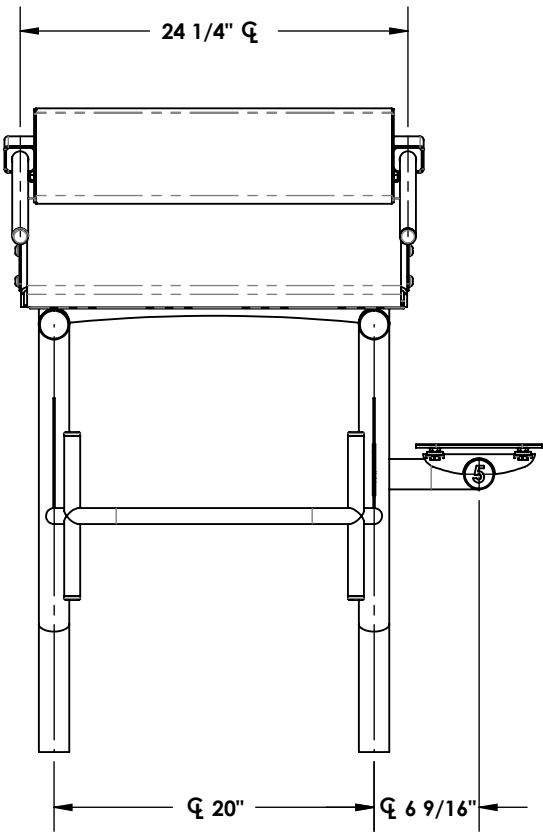
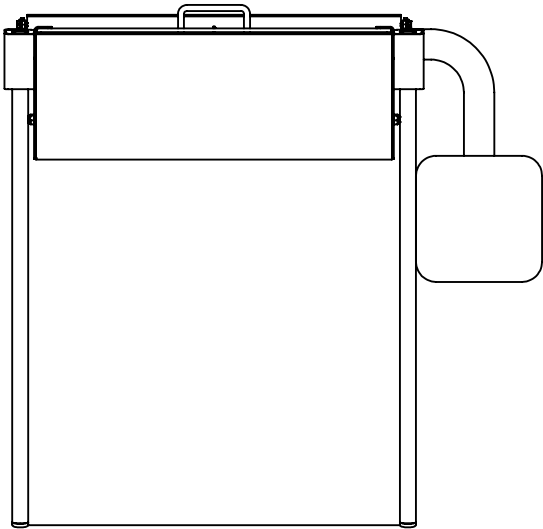


CUSTOM LOGOS AVAILABLE
FOR THE XCELLERATOR
TOP, WEDGE, AND STEP
(STANDARD COLOR - BLACK)



24"-35" SETBACK SUGGESTED SETBACK OF 30"
CUSTOM SETBACKS AVAILABLE
FRONT OF DECK TO ϕ OF ANCHOR

NOTE:

1 DIMENSIONS VARY WITH SPECIFIC APPLICATIONS.
SPECIFICATIONS ARE NOMINAL AND ARE SUBJECT TO CHANGE.
PLEASE CONTACT SPECTRUM PRODUCTS FOR CUSTOM APPLICATIONS.



7100 SPECTRUM LANE
MISSOULA, MT 59808
VOICE: 406.542.9781
FAX: 406.542.1158

A PLAYCORE Company

ENGINEERING DATA

PRODUCT:	XCELLERATOR DP
PRODUCT #:	138900
REVISION:	A
MATERIAL:	304 SERIES STAINLESS STEEL