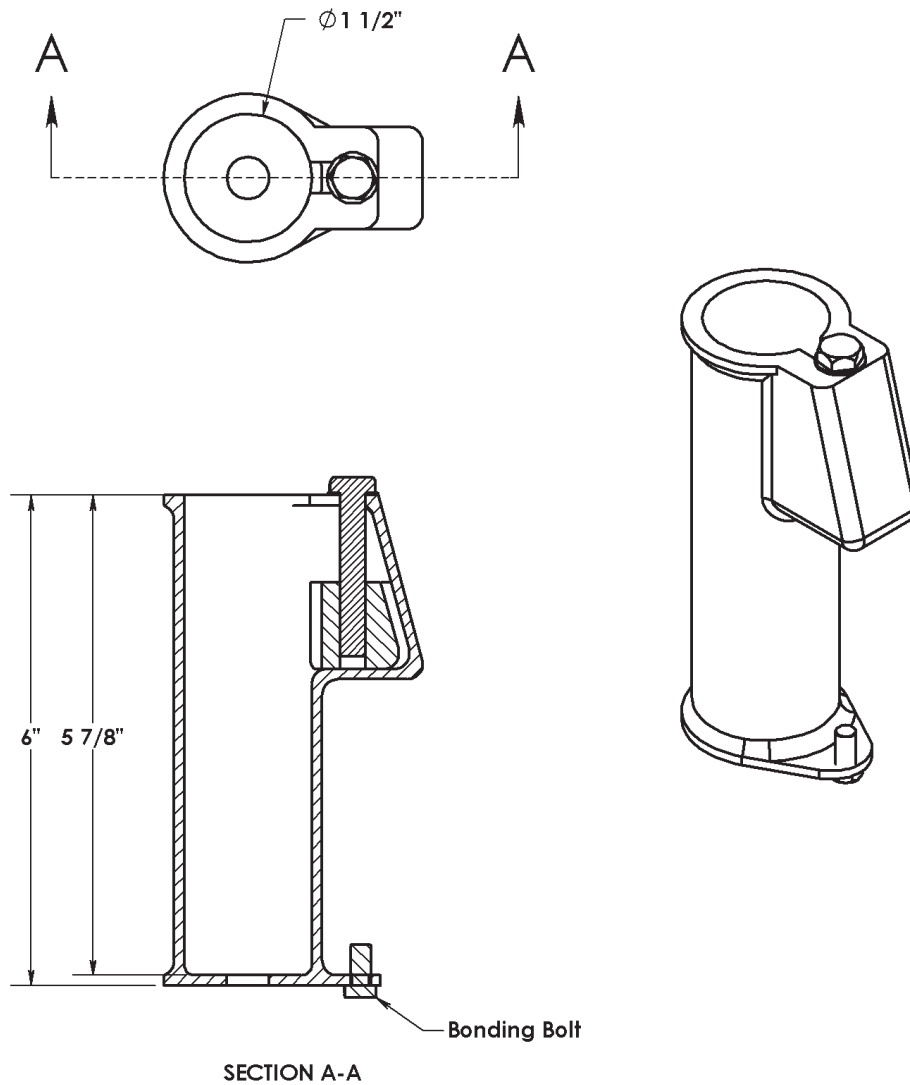


**1.5-INCH O.D.  
STAINLESS STEEL WEDGE ANCHOR**



*\*Note: Drawings not to scale. Specifications are nominal and are subject to change.*



7100 Spectrum Lane  
Missoula, Montana 59808  
406.542.9781 • 800.791.8056  
Fax: 406.542.1158  
www.spectrumproducts.com

**ENGINEERING DATA**

Product:	1.5-Inch O.D. SS Wedge Anchor
Product #:	24090
Date:	2/2004
Data Sheet #:	SA 24090.204