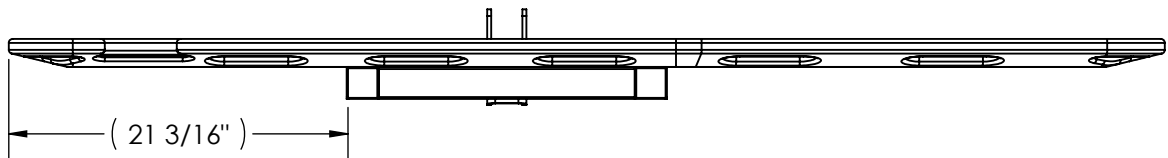
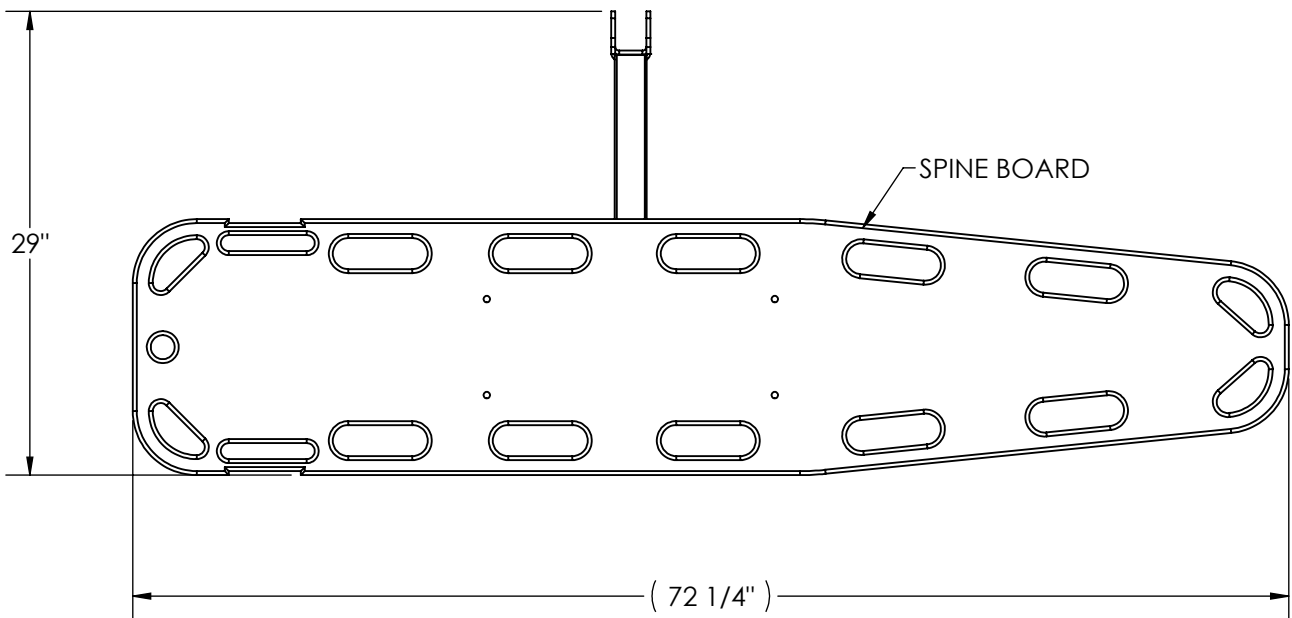
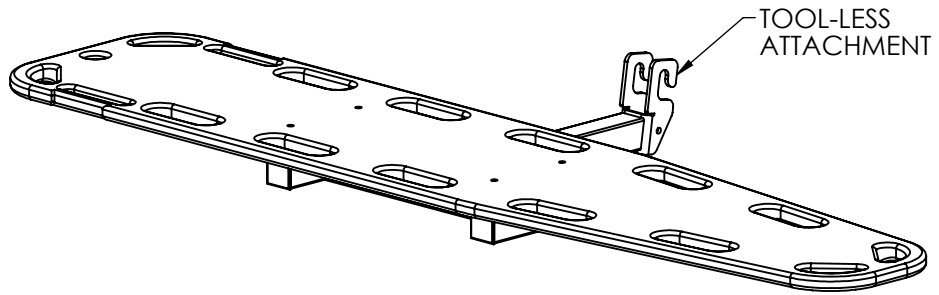


**SWIM-LIFT SERIES  
MODEL - SPINE ATTACHMENT**



**NOTE:**

**1** DIMENSIONS VARY WITH SPECIFIC APPLICATIONS.  
SPECIFICATIONS ARE NOMINAL AND ARE SUBJECT TO CHANGE. PLEASE  
CONTACT SPECTRUM PRODUCTS FOR CUSTOM APPLICATIONS.

**SPECTRUM**  
Products

7100 Spectrum Lane  
Missoula, Montana 59808  
406.542.9781 \* 800.791.8056  
Fax: 406.542.1158  
www.spectrumproducts.com

**ENGINEERING DATA**

PRODUCT:	SPINE ATTACHMENT
PRODUCT #:	42323
REVISION:	A
MATERIAL:	304 SERIES STAINLESS STEEL