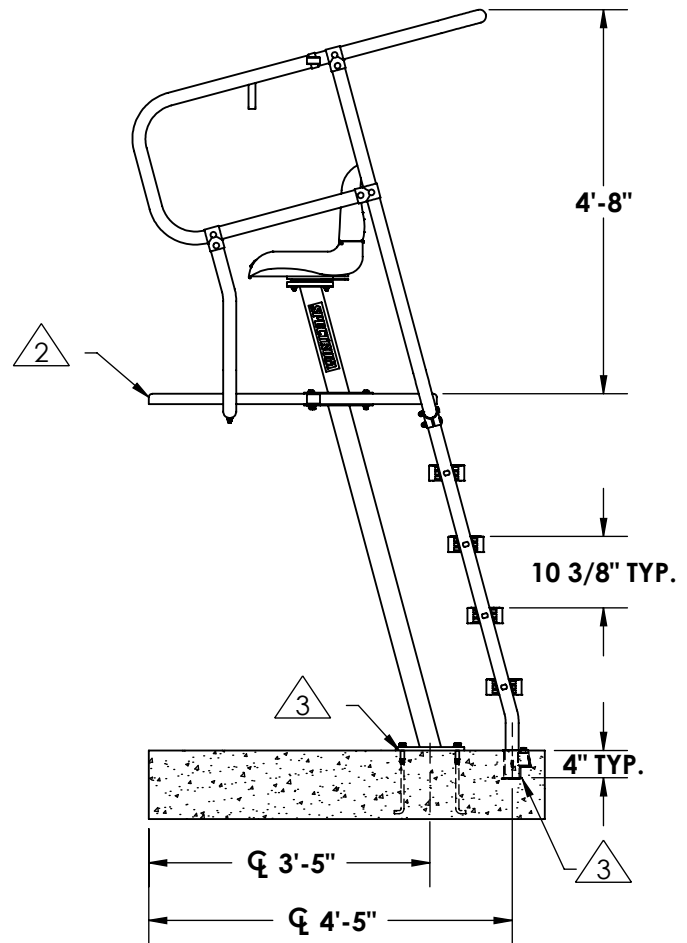
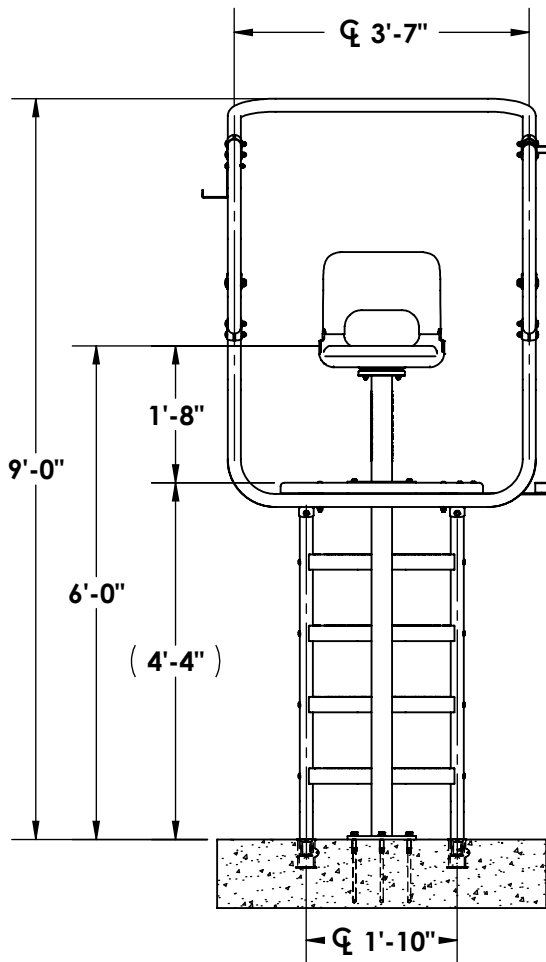
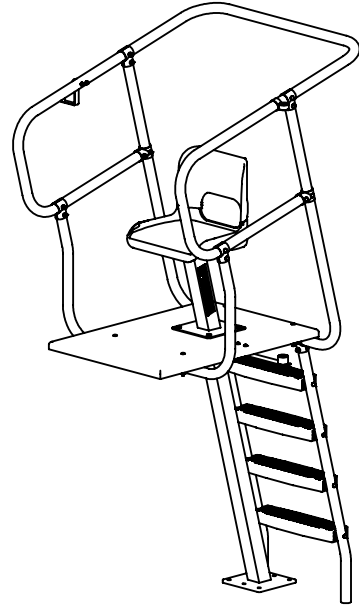


GUARDIAN SERIES MODEL - HYALITE

NOTE:

- ① DIMENSIONS VARY WITH SPECIFIC APPLICATIONS.
- ② MATERIAL: FOOTBOARD 29 1/2"x42" COMPOSITE
- ③ HYALITE ANCHOR KIT NOT INCLUDED
SPECTRUM PRODUCTS CATALOG #20013-00

- (1) STEEL ANCHOR BOLTS WITH ANCHOR JIG
- (2) 4" STANDARD-DUTY BRONZE ANCHOR



SPECTRUM
Products

7100 Spectrum Lane
Missoula, Montana 59808
406.542.9781 * 800.791.8056
Fax: 406.542.1158
www.spectrumproducts.com

ENGINEERING DATA

PRODUCT:	HYALITE
	20065-00
	B
MATERIAL:	1.90"x.065" 300 SERIES S.S. TUBE