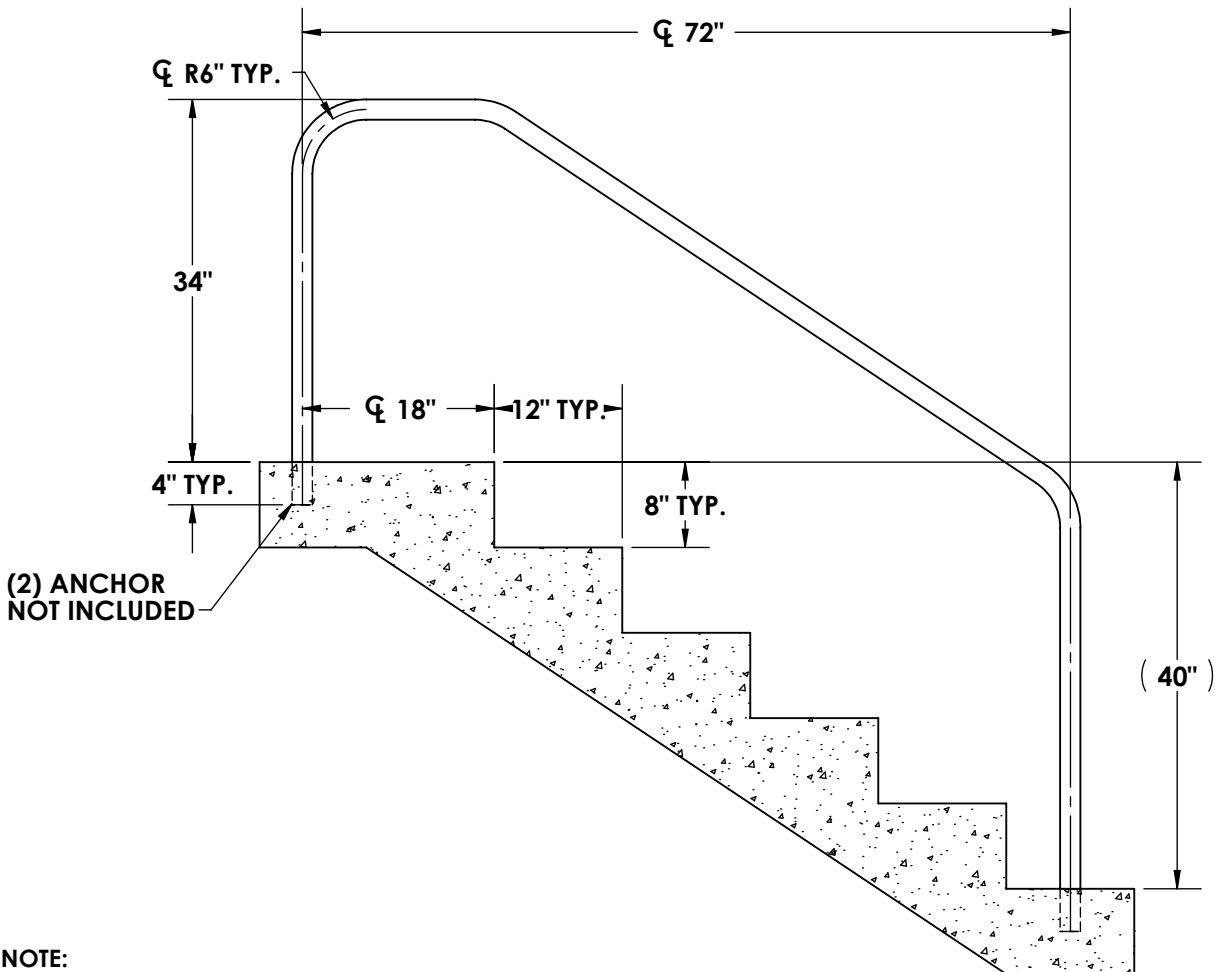
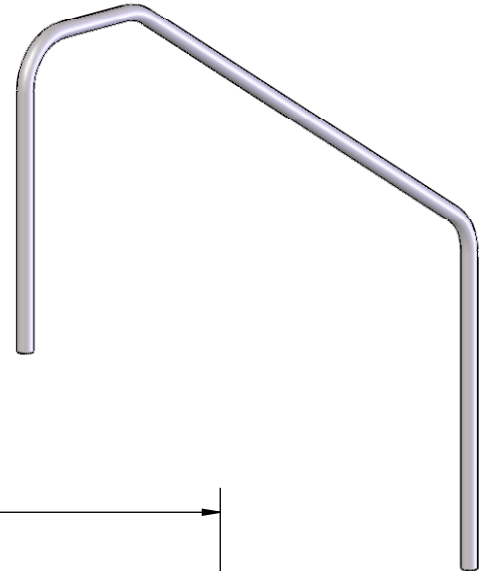


**HANDRAIL SERIES
MODEL - 3 BEND STAIR RAIL 72"**



NOTE:

1 DIMENSIONS VARY WITH SPECIFIC APPLICATIONS.



7100 Spectrum Lane
 Missoula, Montana 59808
 406.542.9781 * 800.791.8056
 Fax: 406.542.1158
 www.spectrumproducts.com

ENGINEERING DATA

PRODUCT:	3 BEND STAIR RAIL 72"
PRODUCT #:	35013-.083
REVISION:	A
MATERIAL:	300 SERIES STAINLESS STEEL