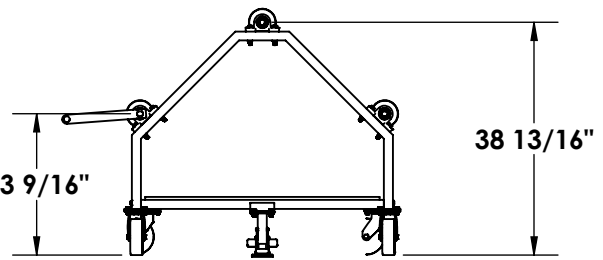
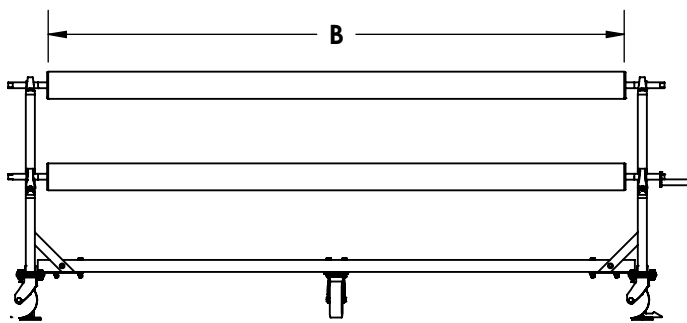
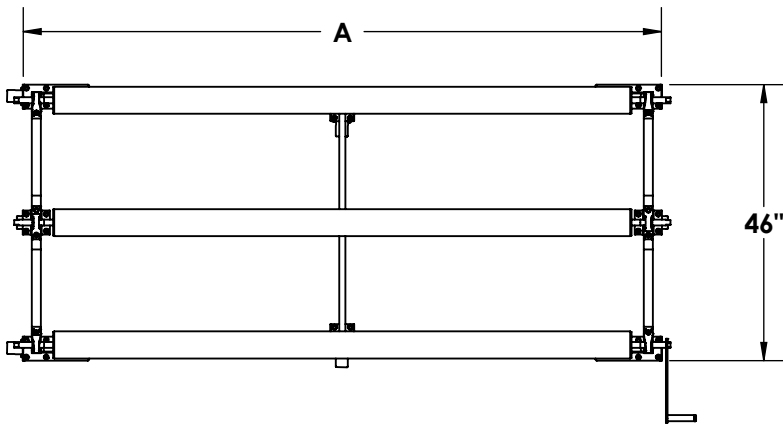
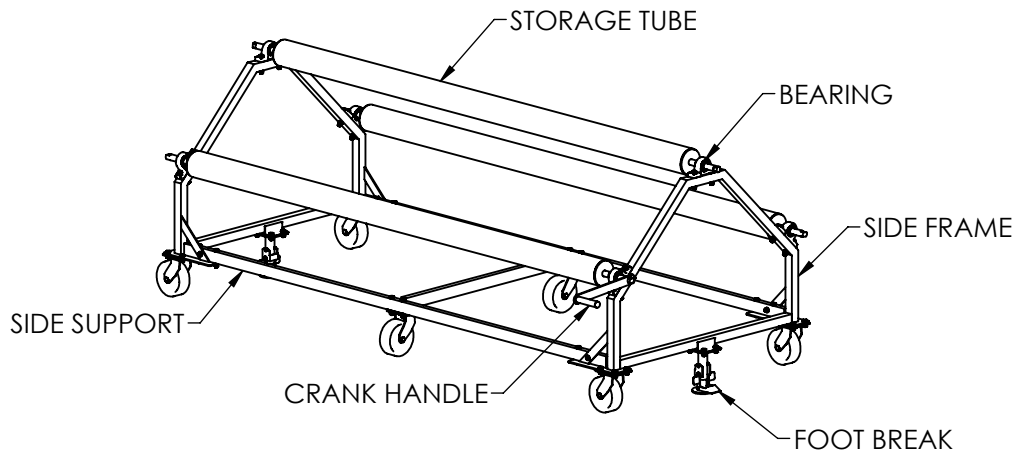


THERMAL-KING SERIES MODEL - BITTERROOT III



NOTE:

1 DIMENSIONS VARY WITH SPECIFIC APPLICATIONS. SPECIFICATIONS ARE NOMINAL AND ARE SUBJECT TO CHANGE. PLEASE CONTACT SPECTRUM AQUATICS FOR CUSTOM APPLICATIONS.

SIZE	A	B
15 FOOT	214.125"	192"
18 FOOT	250.125"	228"
20 FOOT	274.125"	252"



7100 Spectrum Lane
Missoula, Montana 59808
406.542.9781 * 800.791.8056
Fax: 406.542.1158
www.spectrumproducts.com

ENGINEERING DATA

PRODUCT:	BITTERROOT III
PRODUCT #:	50180
REVISION:	A
MATERIAL:	304 SERIES STAINLESS STEEL