

# Record Breaker™

Part Number 57283



**SPECTRUM**<sup>®</sup>  
*Aquatics*  
A PLAYCORE Company

7100 Spectrum Lane ~ Missoula MT 59808  
800.791.8056 ~ [www.spectrumproducts.com](http://www.spectrumproducts.com)

You have purchased a Spectrum Products Record Breaker starting platform. Providing the unit is installed correctly and properly maintained, it will furnish you with many years of trouble free use. It is important to read this entire manual prior to beginning assembly or operation.

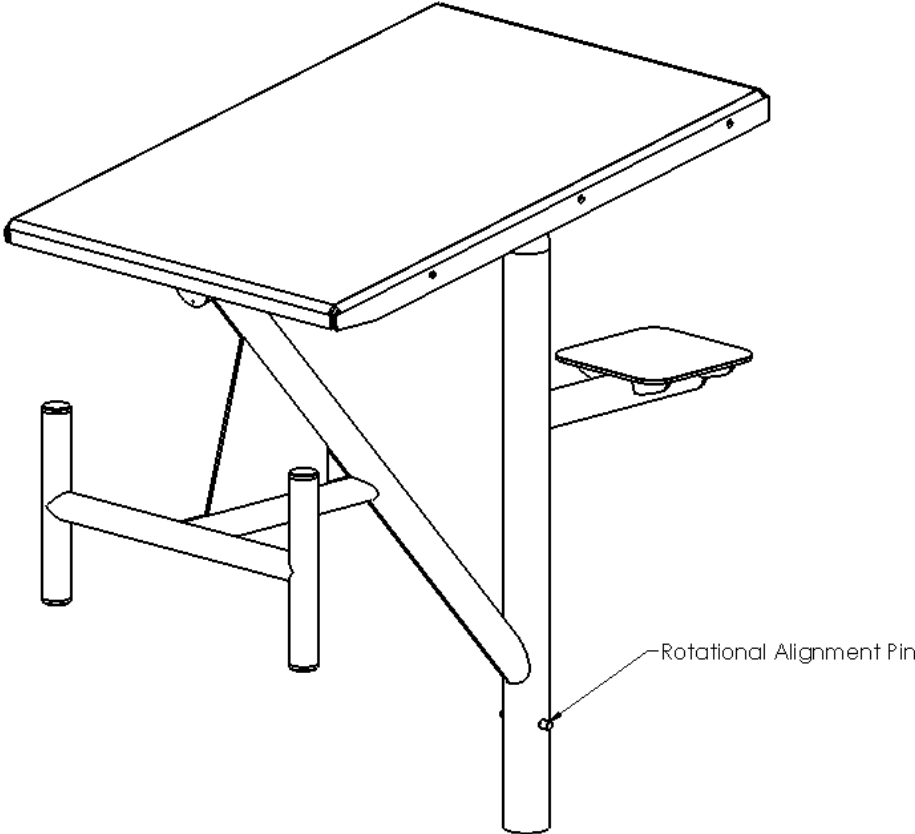
### **Shipping Information:**

Each Record Breaker platform should arrive assembled on a pallet. Before accepting the shipment from the carrier, inspect for visible damage and match the contents with those listed below. Spectrum is not responsible for lost or damaged freight.

The pallet will contain all structural components and hardware. The following is a list of the components included with your shipment from Spectrum. Use Components and Hardware Figure, page 2, as a reference to identify each item listed.

1	Record Breaker Platform
---	-------------------------

# Components and Hardware



## Installation Overview

Read all instructions before attempting to assemble or install the starting platform.

### Anchor Placement

The measuring guide is intended to aid the installer in determining the proper location of the starting platform on the swimming pool deck. The measuring guide will also provide Spectrum with the information needed to design the starting platform specifically for the customer's pool. Spectrum starting platforms are custom engineered to comply with the regulations of FINA, FR 2.7, USS regulations 103.11.1-6, and NCAA Article 7. It is important that accurate measurements be provided by the projects architect/consultant and/or the installer, to assure that the platforms installation will comply with the foregoing regulations.

**NOTE:** If platforms are being ordered before pool construction, architectural drawings and specifications will be used for deck to water level dimensions.

**CAUTION:** Record Breaker starting platforms should not be installed on swimming pools with water depth less than 4 feet.

The anchor setback distance will need to be determined first. The anchor setback is the distance from the pool wall to the centerline of the anchor. When determining anchor location, architectural specifications take precedence over all other dimensional requirements. If no specifications are given, Spectrum recommends a setback of 30 inches. If a different anchor location is desired, the anchor setback distance can be between 18-35 inches. Any anchor location in this range is acceptable. Anchors should not be placed within 6 inches of obstructions such as expansion joints, seams, or cracks in the concrete.

### Measuring the Deck-to-Water Profile

Tools Needed:

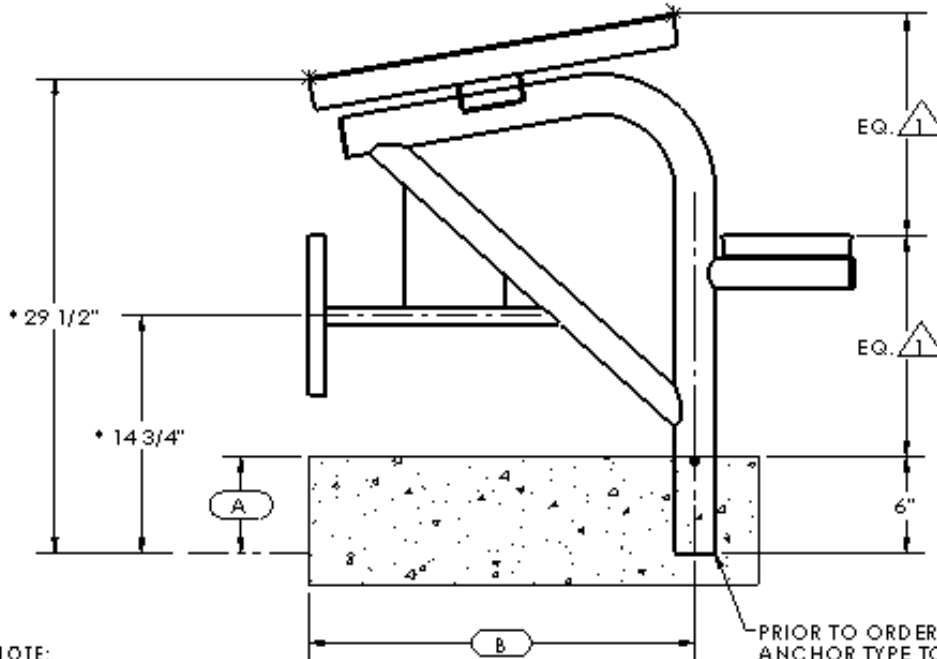
- 1) Tape Measure
- 2) Carpenter's Level (At least 3" long)

**IMPORTANT:** If installing multiple starting platforms on a swimming pool facility, it is imperative that all anchors be installed at the same elevation. It is therefore important that the installer determines the highest point of the swimming pool deck and obtains all measurements from that point.

Fill out the deck-to-water profile diagram included. Use the carpenter's level and tape measure to obtain accurate measurements. See Figure 1. The dimension "A" indicates the distance from the bottom of the carpenter's level to the water surface. The dimension "B" indicates the desired setback.

# MEASURE GUIDE STARTING PLATFORM

FORM M/G-SP



**NOTE:**

Field measurements are required for the product you wish to order. Please provide product accurate measurements to eliminate delays or errors in the design and manufacturing.

\* These dimensions are standard production for Spectrum Products and meet FINA, NCAA, USAS, USMS and NFHS height requirements. Please contact your Spectrum Products sales representative if you would like to vary these dimensions.

\*\*Step side is determined by standing behind your starting block facing the pool.

If your deck has a slope, dimension (A) should be taken from the surface of the water to the level where the starting platform post(s) meets the deck.

Please contact your Spectrum Products sales representative for Logo and Powder Coating options.

PRIOR TO ORDERING INSURE ANCHOR TYPE TO BE USED WITH SINGLE POST BLOCKS. TYPE 1 WILL NOT BE MARKED, TYPE 2 WILL HAVE #2 STAMPED ON TOP OF ANCHOR

CHECK ANCHOR TYPE:

- TYPE 1
- TYPE 2

	DESCRIPTION	MEASUREMENT ROUND TO THE NEAREST 1/2"
A	WATER DRAFT	
B	SETBACK	

X	**STEP SIDE
	LEFT ENTRY
	RIGHT ENTRY
	REAR ENTRY
X	STARTING BLOCK COLOR
	BLUE
	GREEN
	RED
	WHITE (STANDARD)
	YELLOW



7100 Spectrum Lane  
 Missoula, Montana 59808  
 406.542.9781 \* 800.791.8056  
 Fax: 406.542.1158  
 www.spectrumproducts.com

Submitted By: \_\_\_\_\_

Signature: \_\_\_\_\_

Date: \_\_\_\_\_

### New Construction Anchor Installation

- a. Place the anchor in the desired location following above guidelines.
- b. Locate a bonding source to bond (ground) the anchor. The steel rebar-bonding grid of the pool deck is the best choice for bonding the anchor. Attach a No. 8 solid copper wire (NEC Section 680-22) from the bonding bolt on the base of the anchor to the bonding grid.
- c. Secure anchor in place – proper height – anchor may be cemented in place. Set the anchor so that the finished top is 1/8" to 1/4" below finished deck level – allowing for anchor cap to be put in place when the platform is not in use.
- d. Use the carpenter's level to level the anchor making sure the Record Breaker mast will be vertically straight up and down (perpendicular to the deck) in all directions. It is important that the mast be vertically straight to ensure proper platform functionality.
- e. Place tape over the anchor hole before pouring concrete deck to prevent concrete from entering the anchor opening.
- f. Pour concrete deck and finish.

Allow the concrete to cure for at least 7-days before installing and using the platform.

### Existing Facility Anchor Installation

- a. From the center of the desired anchor location, using a marking pen or chalk, mark a 12" x 12" square. This is the concrete to be removed to accommodate the installation of the lift's anchor. It is recommended that the anchor be located at least 6" from any expansion joint, crack, drain, or similar structure in the concrete deck.
- b. Use a concrete cutting saw; cut the 12" x 12" square out of the existing concrete deck. Using a heavy/sledge hammer to break the cut section of concrete and remove from the deck. See Figure 2.

**Note:** If the concrete deck is less than 6" thick, dig out the bottom of the hole to 8" or deeper below the deck surface.

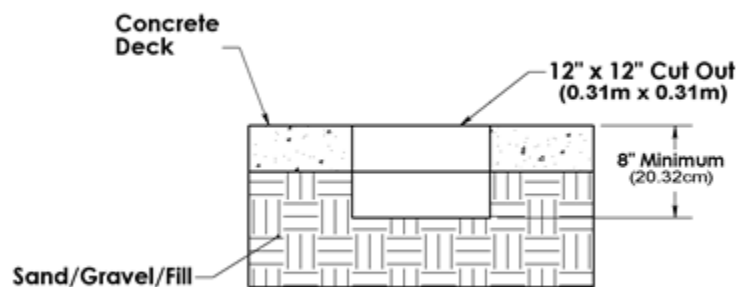


Figure 2

- c. Locate a bonding source to bond (ground) the anchor. The steel rebar-bonding grid of the pool deck is the best choice for bonding the anchor. Attach a No. 8 solid copper wire (NEC Section 680-22) from the bonding bolt on the base of the anchor to the bonding grid.

**Note:** If the concrete deck is 8" thick or more, an alternative anchor installation method may be used. In lieu of saw cutting the concrete deck, a concrete core drill may be employed to cut a 4" diameter hole at the desired anchor installation location. Epoxy or hydraulic cement may be used to secure the anchor in place. Make sure the anchor is properly bonded.

- d. Secure anchor in place – proper height – anchor may be cemented in place. Set the anchor so that the finished top is 1/8" to 1/4" below finished deck level – allowing for anchor cap to be put in place when the platform is not in use.
- e. Use the carpenter's level to level the anchor making sure the Record Breaker mast will be vertically straight up and down (perpendicular to the deck) in all directions. It is important that the mast be vertically straight to ensure proper platform functionality.
- f. Place tape over the anchor hole before pouring concrete deck to prevent concrete from entering the anchor opening.
- g. Pour concrete deck and finish.

Allow the concrete to cure for at least 7-days before installing and using the platform.

## **Assembly Instruction**

The Record Breaker platform ships fully assembled. The Record Breaker is pre drilled for the hardware required to add a track starting wedge, for more information please contact a sales representative.

# Operator's Guide

## Install Starting Platforms

**!Caution!** Starting platforms are heavy use caution when moving or lifting especially near pool edges.

Remove the anchor lid. Slide the Record Breaker starting platform support post into the anchor, making sure that the rotation alignment rod is aligned with the retention slots in the anchor. The support post should rest on the bottom of the anchor, while the rotational alignment rod should fit tightly into the retention slot. Step up onto the platform top and bounce forward, back and side-to-side to test for stability on the platform.

## Removing the Record Breaker Starting Platform

Using the support post as a grip, pull the platform straight up, out of the anchor and replace the anchor cap.

## Care and Maintenance

The following should be performed periodically to ensure safe and dependable use.

1. Remove any discoloration with a 3M scratch pad (stainless steel components only). Wipe clean with a sponge dampened with Spectra Clean. Repeat these steps several times to passivate the stainless steel. Spectra Clean kits are available from Spectrum (Part Number 202050-00). Do not spray with high-pressure water, only clean with non-chlorinated water.
2. Check all mechanical connections – inspect the Nylock Nuts on all moving parts and make sure they are snug. Lube all pivot points with light oil (3-1).

## Troubleshooting

Problem	Cause	Solution
Non-Slip Surface Becomes Worn		Contact Distributor or Spectrum Products

Please contact your local distributor or Spectrum Customer Service to order parts 406.532.6321