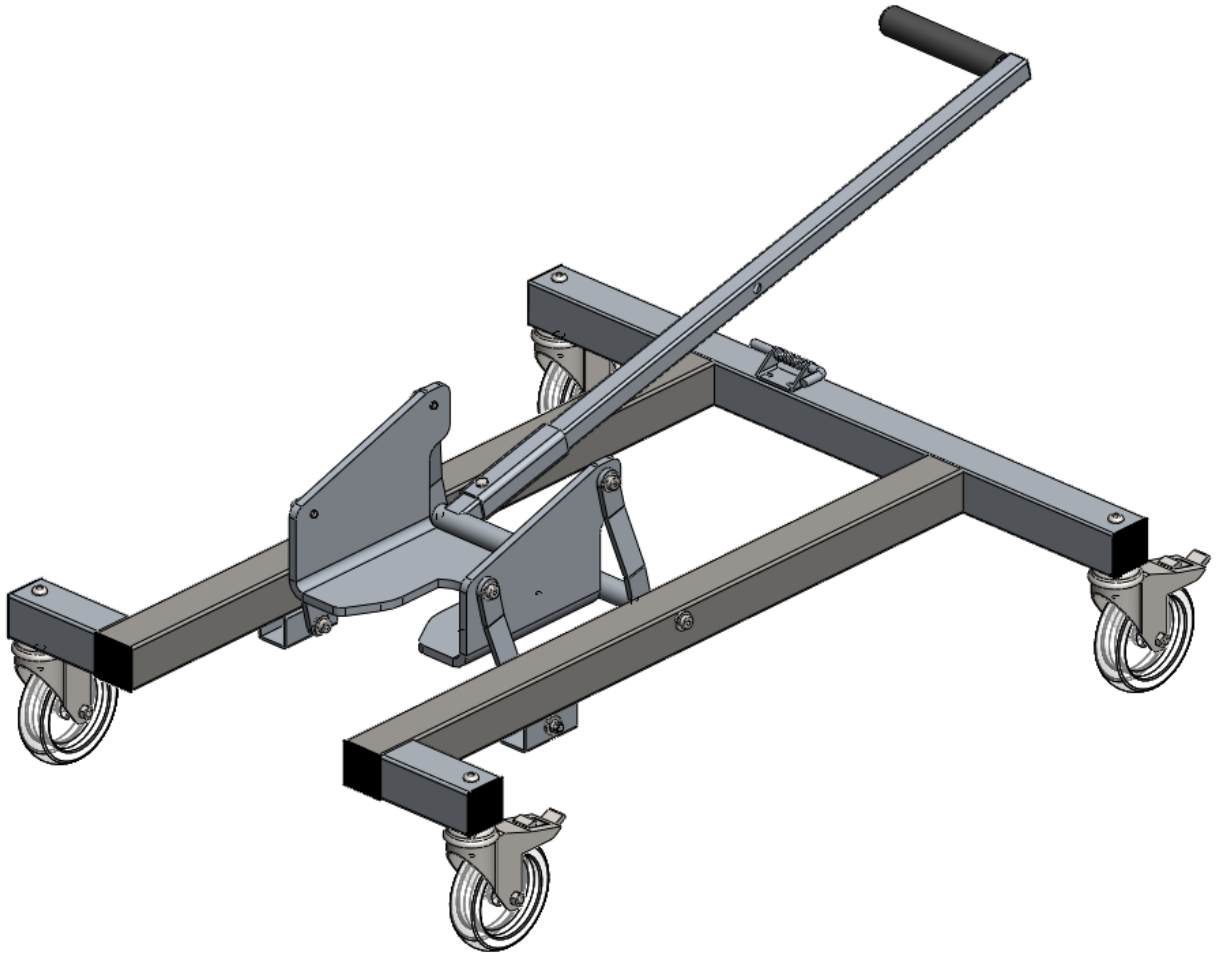


# TRAVELER TRANSPORT CART

Part Number 54523



7100 Spectrum Lane ~ Missoula MT 59808  
800.791.8056 ~ [www.spectrumproducts.com](http://www.spectrumproducts.com)

You have purchased a Spectrum Products Traveler Lift Transport Cart. Providing the unit is installed correctly and properly maintained, it will furnish you with many years of trouble free use. It is important to read this entire manual prior to beginning assembly or operation.

**Shipping Information:**

Each cart should arrive assembled in one box. Before accepting the shipment from the carrier, inspect for visible damage and match the contents with those listed below. Spectrum is not responsible for lost or damaged freight.

The box will contain all structural components and hardware. The following is a list of the components included with your shipment from Spectrum. To attach the handle place the end of the handle extension into the receiver on the cart frame and pin in place with included hardware

1	Cart Frame	1	Handle
---	------------	---	--------

## Using the Traveler™ Transport Cart

**WARNING! Do not transport the lift with the battery attached. Do not attempt to use power to remove the lift from the anchor.**

The Traveler™ Transport Cart was designed to make moving the Traveler™ Swim Lift® safe and easy. Please read these instructions before attempting to use the Transport Cart, and make sure all pool/spa personnel are instructed in its use.

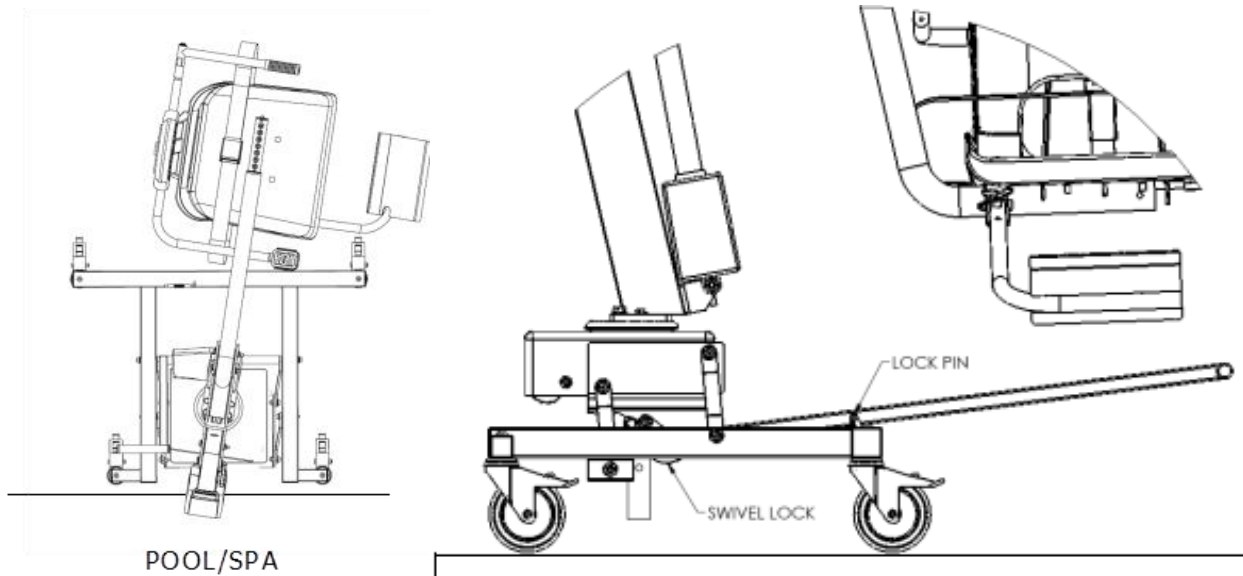


Figure 1

Figure 2

1. Raise seat as high as it will go.
2. Rotate lift to the transport position, as shown in Figure 1.
3. Remove battery from lift.
4. Slide Transport Cart under lift.

**WARNING: If the lift is not positioned correctly, the Transport Cart may become unstable, possibly tipping and causing damage to the unit.**

5. Ensure that the Swivel Lock, shown in Figure 2, engages. Push handle down while slightly rocking the lift to free it from the anchor.
6. When the handle approaches the lock pin, pull the lock pin and push down on the handle until the lock pin engages with the hole in the handle.
7. When the lift is locked in place, it is ready for transport. The Transport Cart is moved by using the lift as a handle. The lift may remain on the Transport Cart indefinitely.

**WARNING: Do not navigate on slopes of more than 10 degrees.**