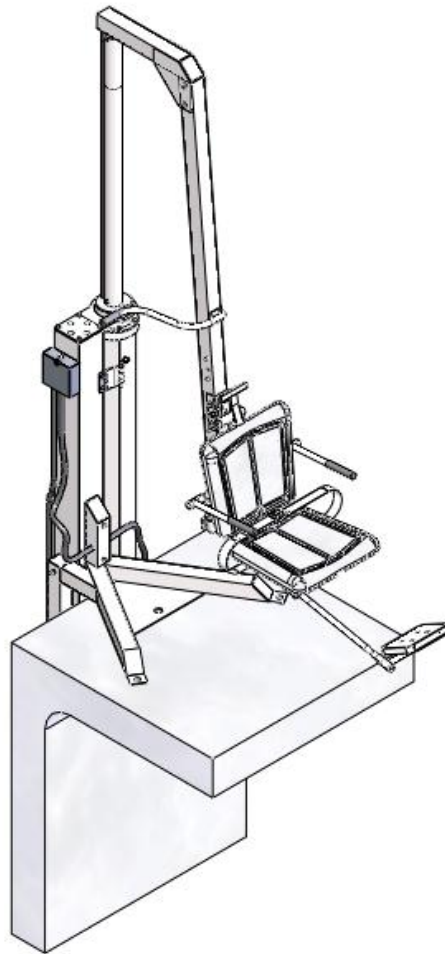


# Greycliff Replacement Seal Instructions

Part Number 202118-03



7100 Spectrum Lane ~ Missoula MT 59808  
800.791.8056 ~ [www.spectrumproducts.com](http://www.spectrumproducts.com)

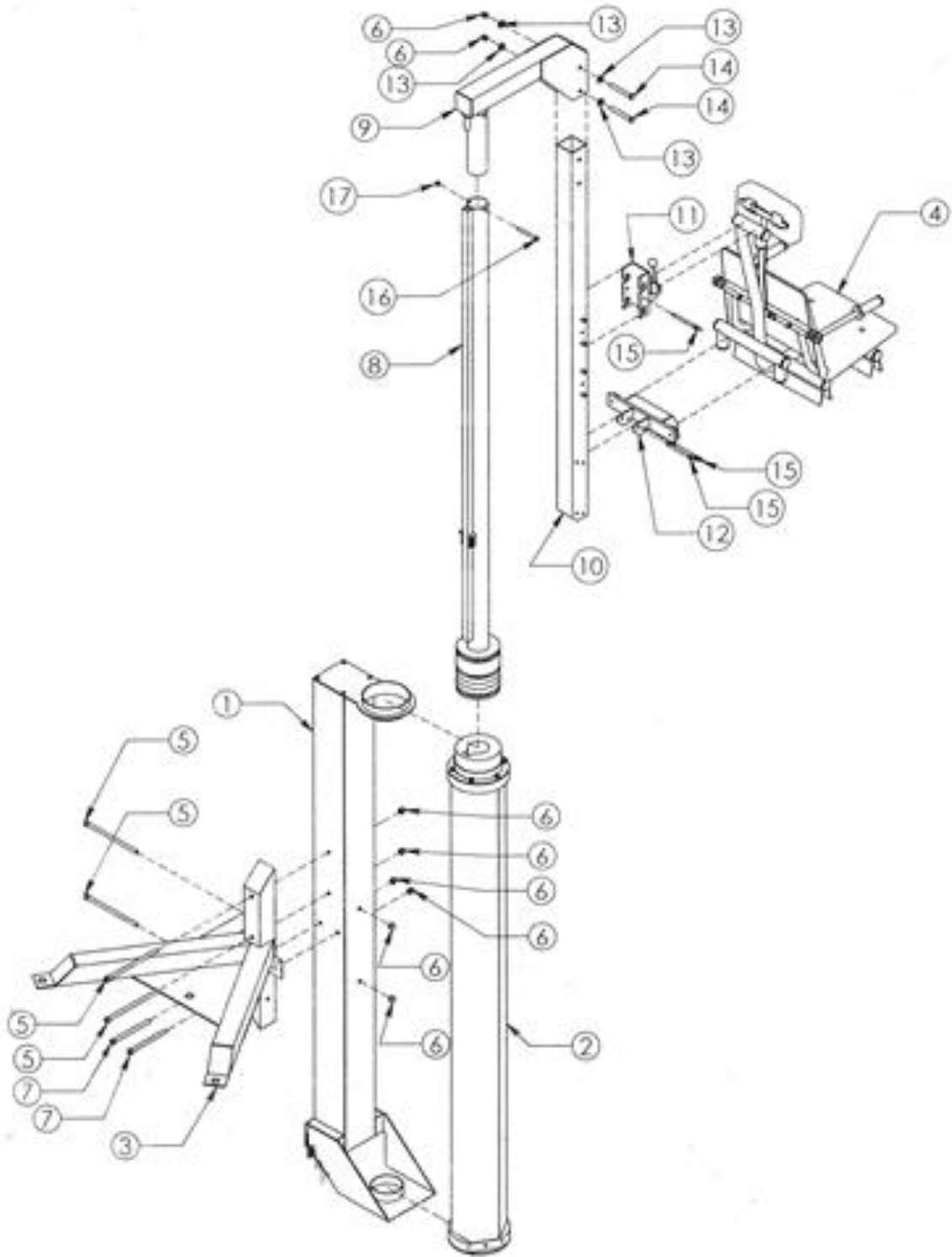


Figure 1

**Carefully read all instructions before beginning seal replacement process.**

Use Figure 1 for reference on steps 1 through 3

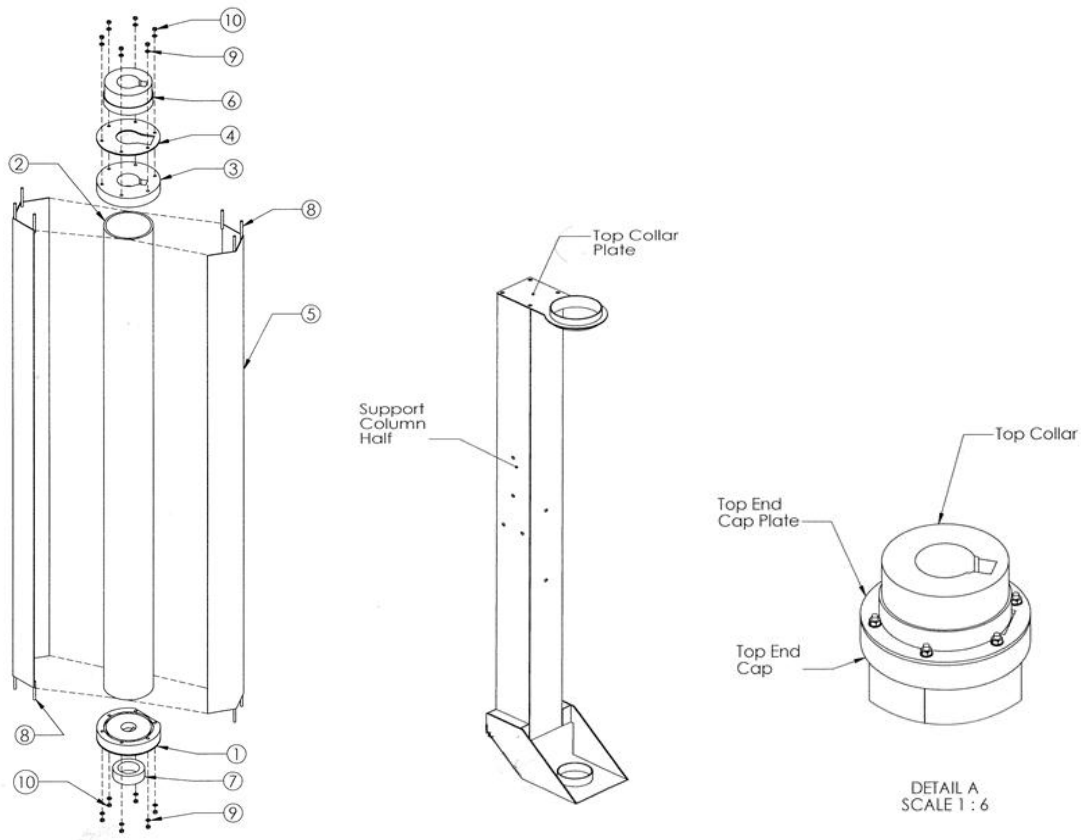
**STEP 1:** Remove any seat, or other attachment that may be currently assembled to the unit. With the lift in the up position (On Deck), remove the Seat Arm (#10) by removing the Two ½” x 4” Hex Head Bolts (#14). Set assembly and hardware aside.

**STEP 2:** Detach the Piston Rod Cross Tube Assembly (#9) by removing the Lock Nut (#17) from the Quick Release pin (#16) and pulling the release pin out. Lift gently up on the Cross Tube Assembly and set the assembly and hardware aside.

**STEP 3:** Push the piston rod all the way down by turning the control lever to the down position and gently pushing down on the top of the piston rod (#8). (The lift is designed for gravity down power so by gently pushing you're forcing the water from the cylinder similar to gravity forces).

**STEP 4: IMPORTANT!** Make note of orientation of piston cylinder **AND** piston rod. During re-assembly you need to make sure they are orientated the same way.

**STEP 5:** Remove the Top Collar Plate (See Figure 2), by removing the nuts on top of the plate. The actual Cylinder assembly should be loose within the Support Arm Column (Indicated in Figure 2).



**Figure 2**

**STEP 6:** Remove the Top Collar Assembly. (See Figure 2)

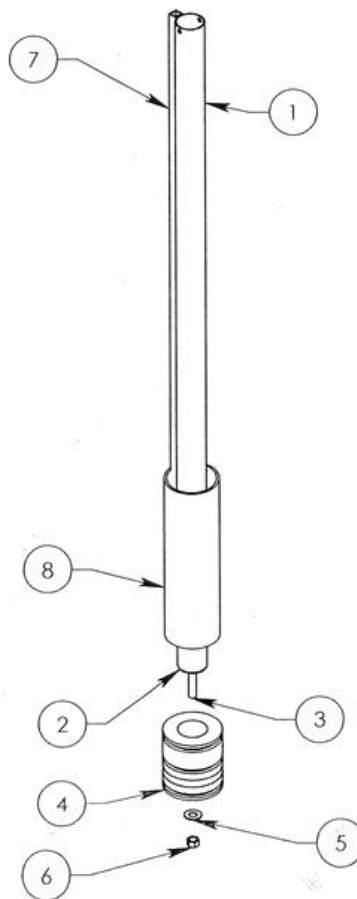
**STEP 7:** Gently remove the cylinder assembly from the Support Column. (Operation hoses will still be attached to the cylinder but there should be enough slack to remove the Cylinder and rest it on the deck of the pool).

**STEP 8:** Lubricate the six 5/16" Nuts (#10) located on top of the cylinder to prevent stripping of the nuts and remove.

**STEP 9:** Remove the Metal Top Cap Plate (#4). Set aside with hardware.

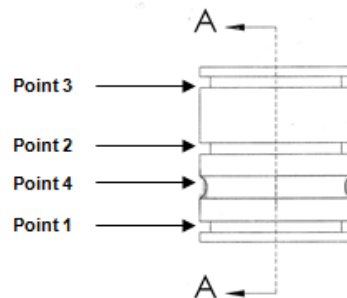
**STEP 10:** Gently remove the Top End Cap (#3). **NOTE: Cap may be seated tightly.** You may need to gently tap from the bottom while rotating around the collar with a hammer in order to safely remove. Do not tap directly with the hammer; use a scrap piece of wood or similar between the hammer and the end cap.

**STEP 11:** Carefully pull the piston rod assembly (#7) from the cylinder. Refer to Figure 3. Your lift may or may not have the PVC stop (#8).



**Figure 3**

**STEP 12:** Note position of existing seals. Seals must be installed in the specified manner to insure proper lift operation. The Concaved side needs to be pointed down inside the cylinder. Remove the old seals from points 1, 2 and 3 as shown in Figure 4. (Auto Rotate units will have a rounded seal in Point 4).



**Figure 4**

**STEP 13:** Install the new seals in the same way as the old ones were installed.

**STEP 14:** Reverse the steps to re-assemble unit.

Re-assemble and test the unit. It may take a few operations to work out the air in the system and allow the unit to operate properly. If you have continued problems please contact our customer service support department at 800.791.8056.