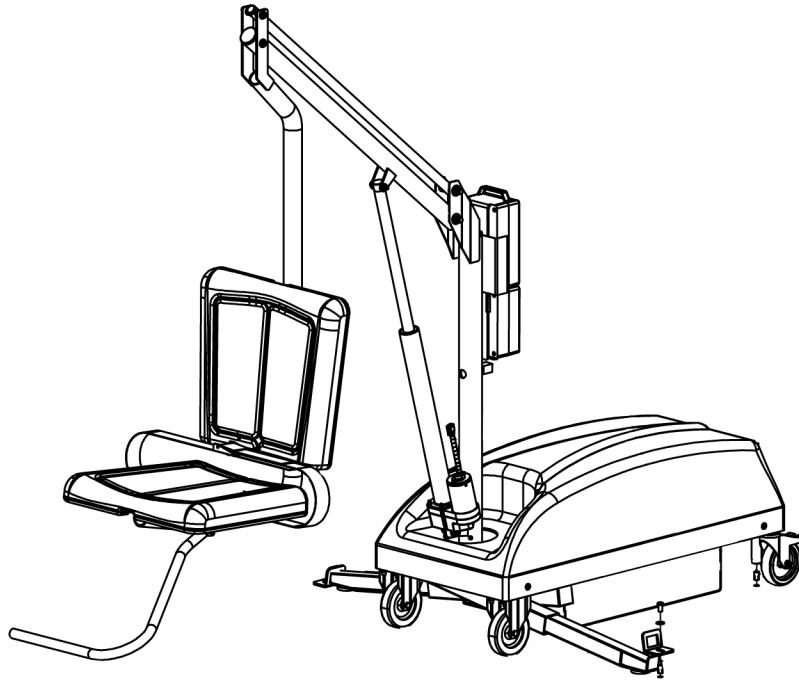


# INSTALLATION GUIDE

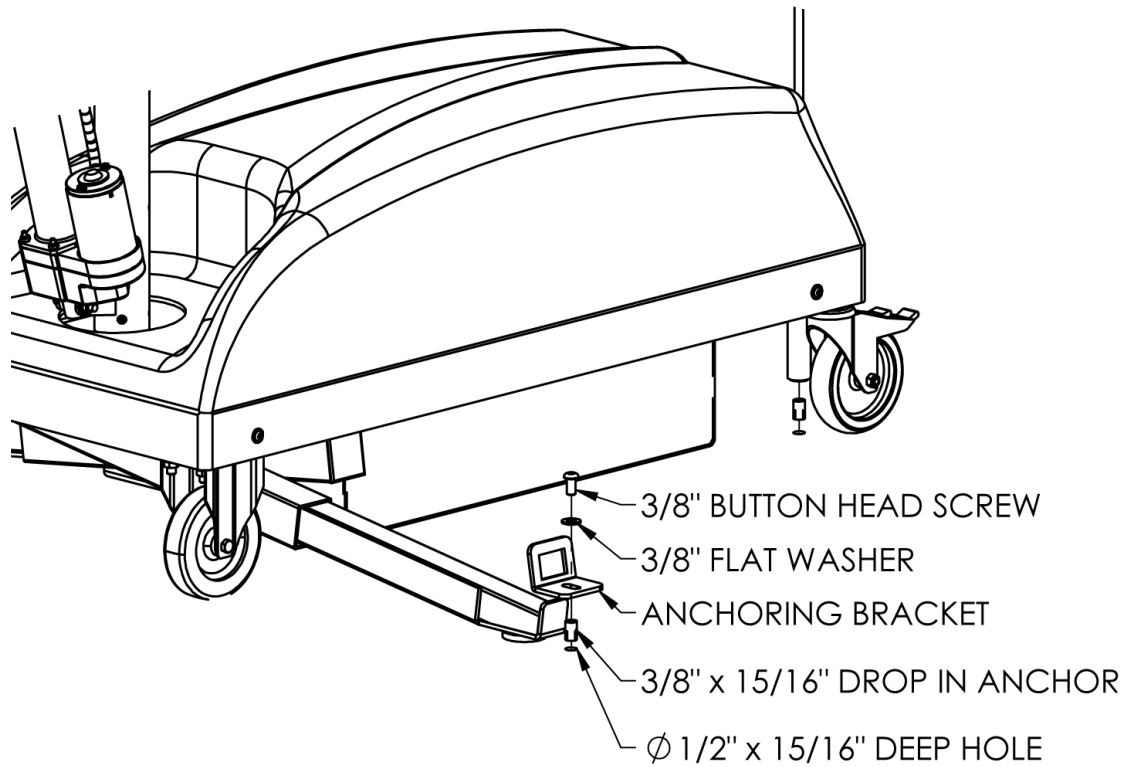
## Portable Freedom Lift anchor kit



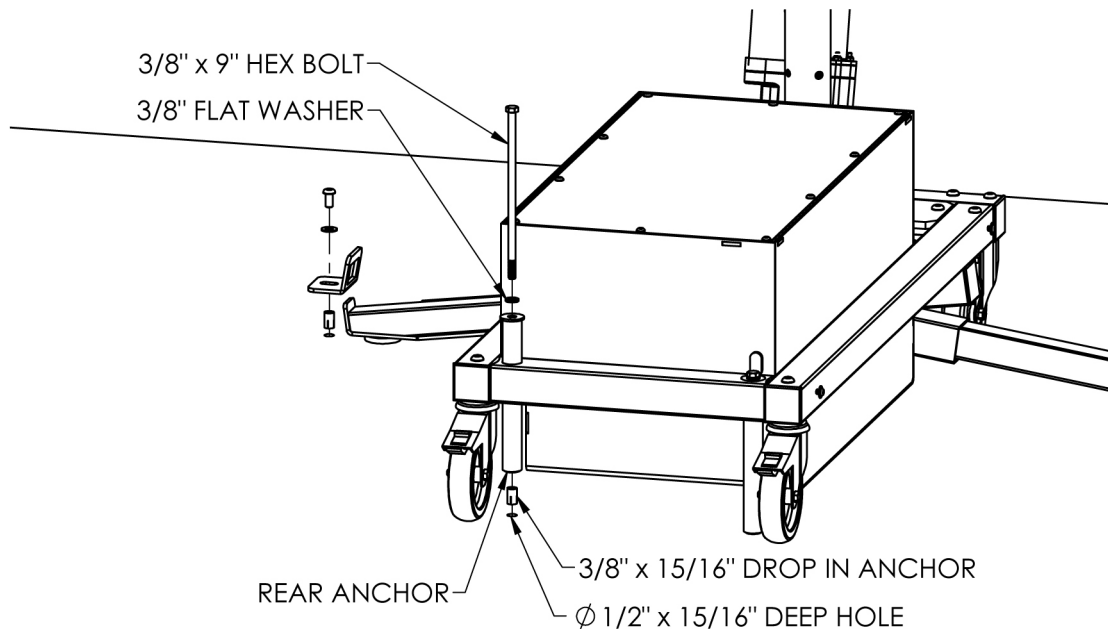
### TOOLS REQUIRED:

- Hammer Drill
- ½" Diameter Masonry Drill bit
- Brush or compressed air to remove debris from drilled hole
- Hammer
- Anchor Setting Tool (Supplied)
- 7/32" Socket Wrench
- 5/32" Socket Wrench
- 9/16" Wrench

**\*Caution, do not remove ballast weight from the unit\***



- 1) Place Portable freedom on deck where install will occur following all applicable codes.
- 2) For guidance on bonding, check local and state electrical code to see if bonding is applicable in the specific application.
- 3) Set Stabilizer arms tight to deck and lock rear wheels in place using the wheel brakes.
- 4) Using each Stabilizer Clip over the stabilizer arm as shown above.



- 5) Using the stabilizer clip as a template mark concrete where 3/8" anchors will be set (in the center of the peanut hole on the anchoring bracket).
- 6) Remove the handle used to push the unit to gain access to the 1" holes that the rear anchors are set in.
- 7) Remove the four 1/4" Socket head screws that hold the large plastic weight cover on the unit, and move the weight cover out of the way to gain access to the 1" holes that the rear anchors go in.
- 8) Using the rear anchors as a template as shown below (Cover is removed for clarity, does not need to be removed for installation, just pulled up to allow the rear anchor to align with the 1" hole), mark concrete where the anchors will be set.
- 9) Retract stabilizer arms and release brake – move the unit slightly to gain access to drill the holes in the deck – Set brakes once moved.
- 10) Using a 1/2" diameter bit and hammer drill, drill a hole to a depth of 7/8" in the 4 marked locations. Remove all debris from drilled holes.
- 11) Place 4 - 3/8" x 7/8" drop in anchors in the drilled holes in the deck and set them using the supplied setting tool.
- 12) Reposition the unit over the holes and set the brakes and Stabilizer arms
- 13) Using Supplied hardware and 7/32" socket wrench lock unit to deck by tightening fasteners at the 4 locations – do not over tighten hardware.