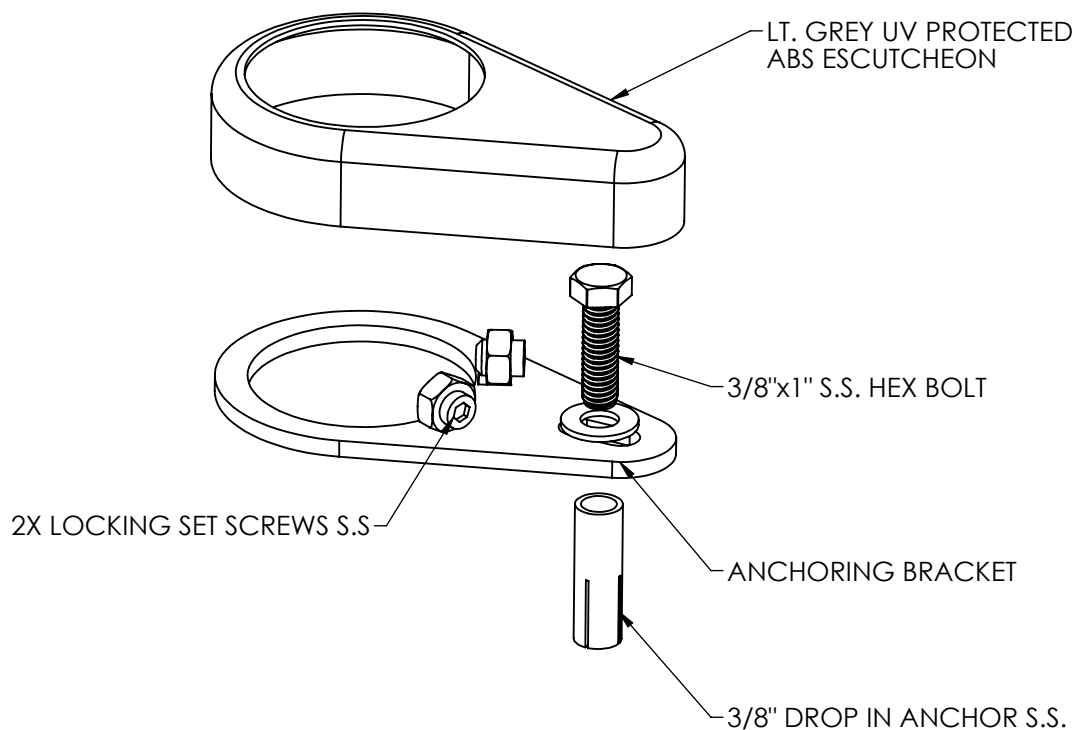


INSTALLATION GUIDE

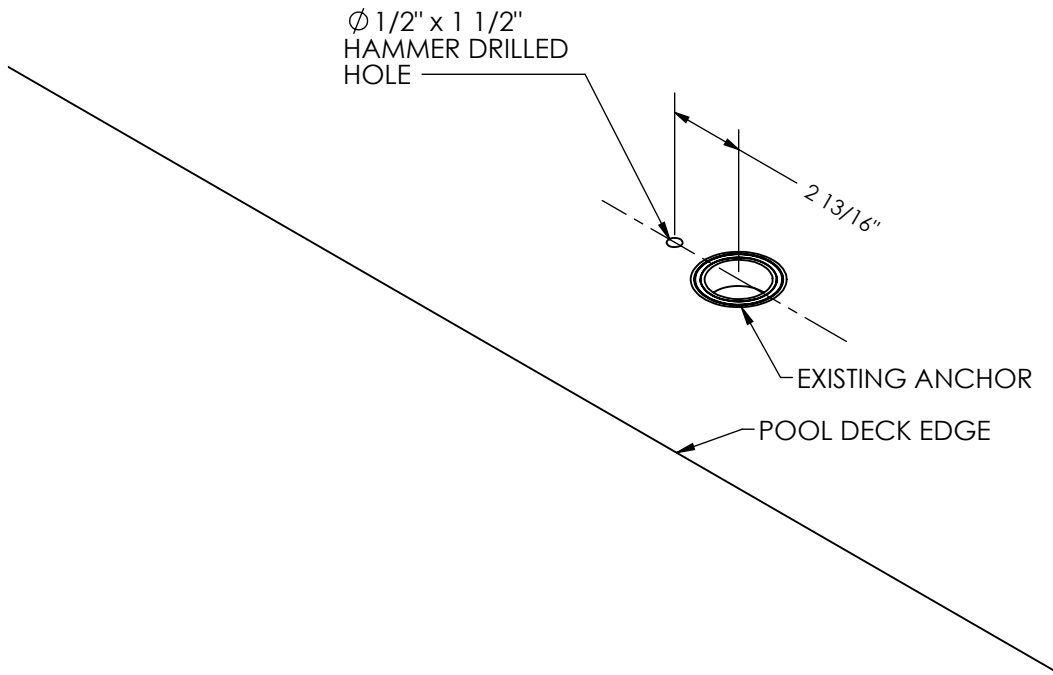
Retro Fit Freedom Lift Anchoring Kit

INCLUDED PARTS SHOWN IN DIAGRAM:



TOOLS REQUIRED:

- Hammer Drill
- ½" Diameter Masonry Drill bit
- Brush or compressed air to remove debris from drilled hole
- Hammer
- Anchor Setting Tool (Supplied)
- 3/16" Socket Wrench
- 9/16" Wrench



- 1) Remove lift from existing deck anchor.
- 2) Using the diagram above as a guide, mark the center of the 1/2" hammer drilled hole 2 -13/16" from the center of the existing anchor in the deck parallel to pool as shown.
- 3) Using a 1/2" hammer drill, drill the concrete to a depth of 1 1/2", make sure all debris is removed from the hole.
- 4) Set the 3/8" drop in anchor in the cleaned hole from step 3, using the supplied anchor setting tool, and a hammer.
- 5) Place the plastic anchor cover on the mast of the Freedom, then place the anchoring bracket on the mast of the Freedom just below the pivoting joint on the unit and very lightly set the set screws to hold the bracket in place
- 6) Reinsert the Freedom into the in-deck anchor, loosen the set screws to allow the anchoring bracket to move freely, and line up the anchoring bracket to the 3/8" drop in anchor by loosening the set screws

- 7) Using supplied 3/8" x 1" hex bolt with a 3/8" flat washer as shown below, lock the anchoring bracket to the deck; do not over tighten the bolt.
- 8) Tighten the two set screws to the mast using the supplied 3/16" Socket wrench.
- 9) Push the ABS Escutcheon over the anchoring bracket.

