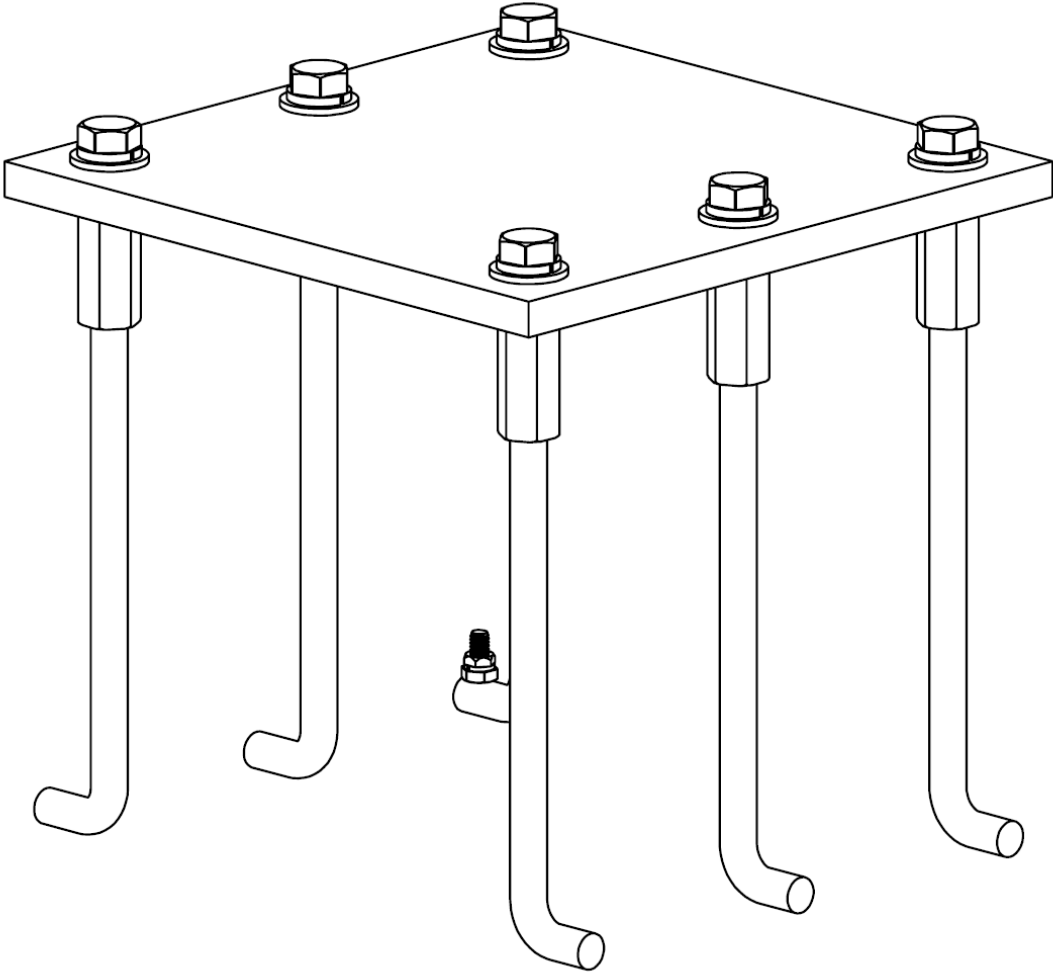


# Guardian™ Model Sapphire Anchor



## Owner's Manual Assembly, Installation and Operation

# Installation Instructions

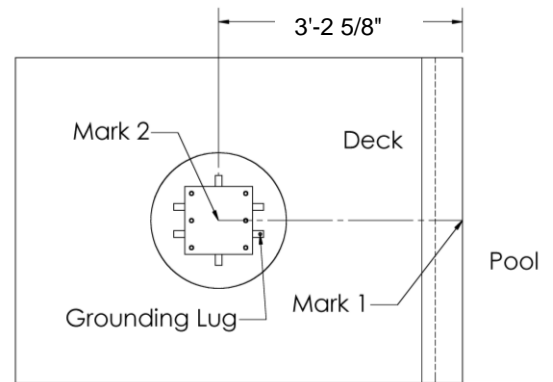
**Step 1:** Determine where on the pool deck you want your guard chair to be. Make a mark on the deck edge at the selected location. Next, make a mark at the anchor location of the guard chair. **Figure 1** can be used as a reference.

**Step 2:** Using a jackhammer or concrete saw, knock out a 20" diameter hole in the concrete at the point of the second mark. The hole depth should be at least 12", as shown in **Figure 2**.

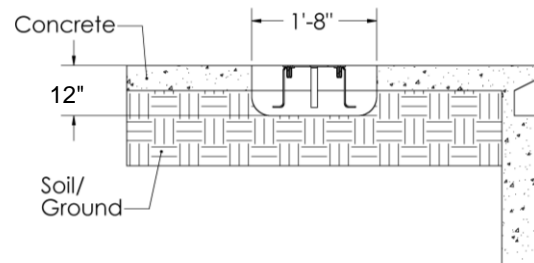
**Step 3:** Attach a wire to the grounding lug on one of the anchor legs. Lower the anchor into the hole and attach the other end of the wire to the bonding grid in order to ground the chair. Consult with an electrician or your local code regarding grounding requirements or alternate methods of grounding.

**Step 4:** Align the anchor with either of the "3-hole" sides facing the front. The top of the anchor plate should be flush with the pool deck and level.

**Step 5:** Fill in hole with a minimum of 4000 p.s.i. concrete. Allow concrete to cure for at least 48 hours before installing guard chair.



**Figure 1**



**Figure 2**