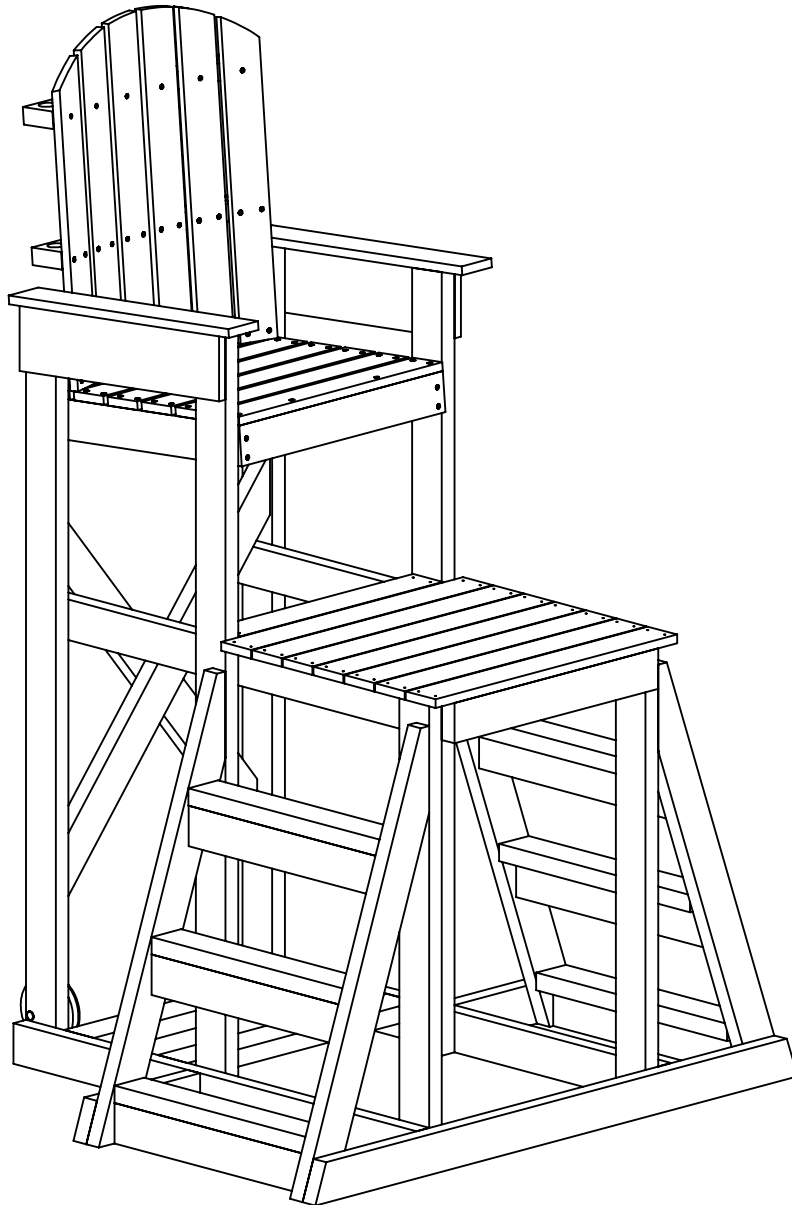


MENDOTA DUAL STEP

OWNERS MANUAL

ASSEMBLY AND INSTALLATION



SPECTRUM
Products®

7100 Spectrum Lane
Missoula, Montana 59808
406.542.9781 * 800.791.8056
Fax: 406.542.1158
www.spectrumproducts.com

1.800.791.8056

Mendota Dual Step Assembly:

Tools Required;

Drill with Square Drive Bit
1/2" Open End Wrench
1/2" Socket and Ratchet
Mallet

Hardware Pack Includes;

(22) 2 1/2" Square Drive Screws
(18) 1 1/2" Square Drive Screws
(26) 5/8" Carriage Bolts
(26) 5/8" Hex Nuts

Note:

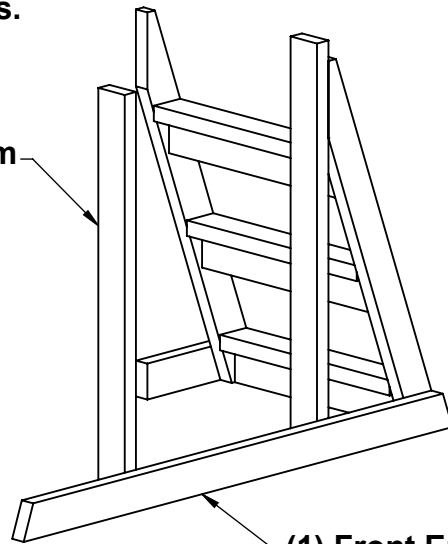
1. All carriage bolts to be left loose until stated otherwise.
2. Set up chair on a flat surface, this will make the installation of the hardware much simpler.
3. Set the heads of the carriage bolts into the HDPE lumber with the mallet before tightening; DO NOT overtighten the hex nuts.

Step 1:

Using the provided pre-drilled holes attach the Front Platform Support to the Front End Brace with;

(4) 2 1/2" Square Drive Screws.

(2) Front Platform Support



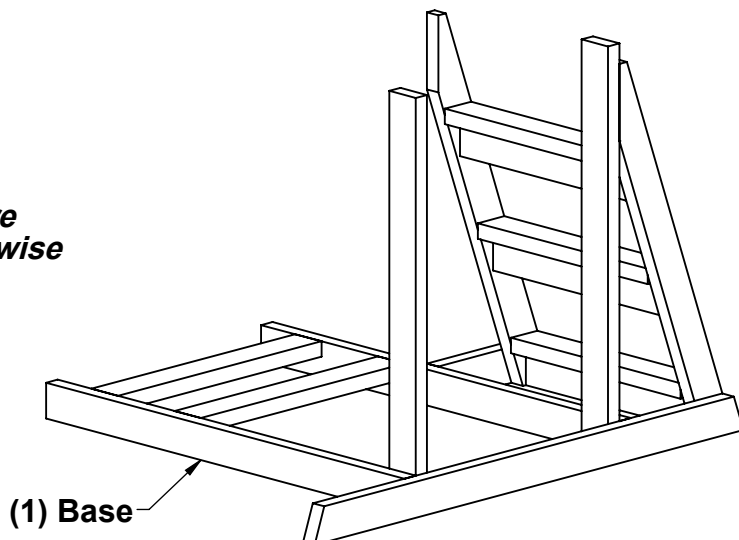
(1) Front End Brace

Step 2:

Attach the base with;

(2) Carriage Bolts
(2) Hex Nuts

*Note - do not tighten hardware
leave loose until stated otherwise*

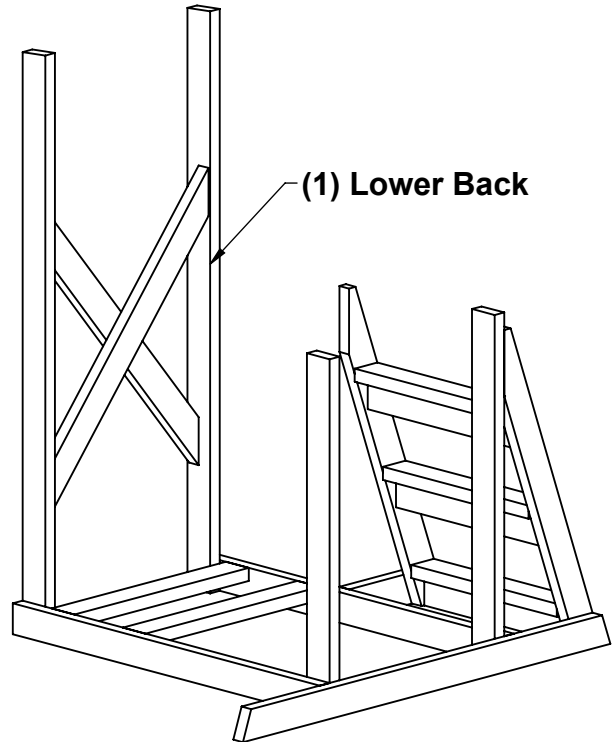


(1) Base

Step 3:

**Place Lower Back as shown.
Attach with;**

- (2) Carriage Bolts**
- (2) Hex Nuts**



Step 4:

**Attach the Platform to Front Platform
Support with;**

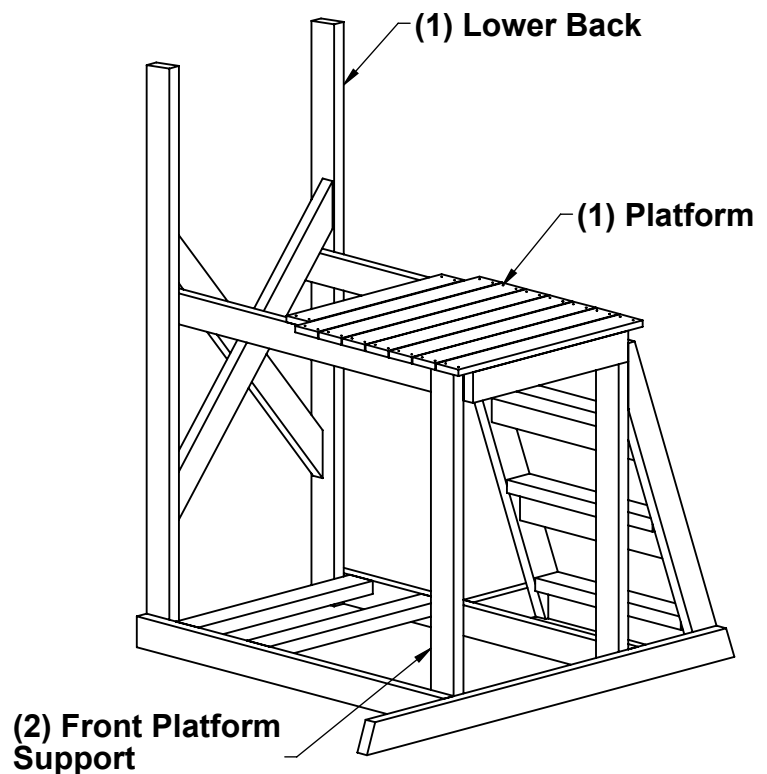
- (2) Carriage Bolts**
- (2) Hex Nuts**

**Swing Foot Rest up to meet Lower
Back. Attach with;**

- (4) Carriage Bolts**
- (4) Hex Nuts**

**Add screw to Platform and Front
Platform Support using pre drilled
holes.**

- (2) 2 1/2" Square Drive Screws**



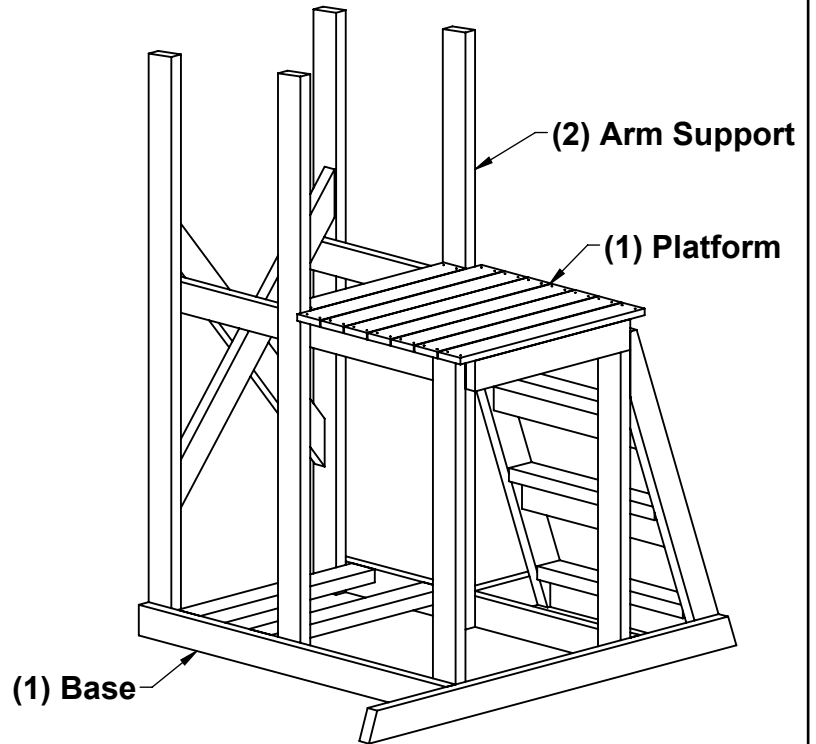
Step 5:

**Place Arm Supports as shown.
Attachment at Base uses;**

- (2) Carriage Bolts**
- (2) Hex Nuts**

Attachment to Platform uses;

- (4) Carriage Bolts**
- (4) Hex Nuts**



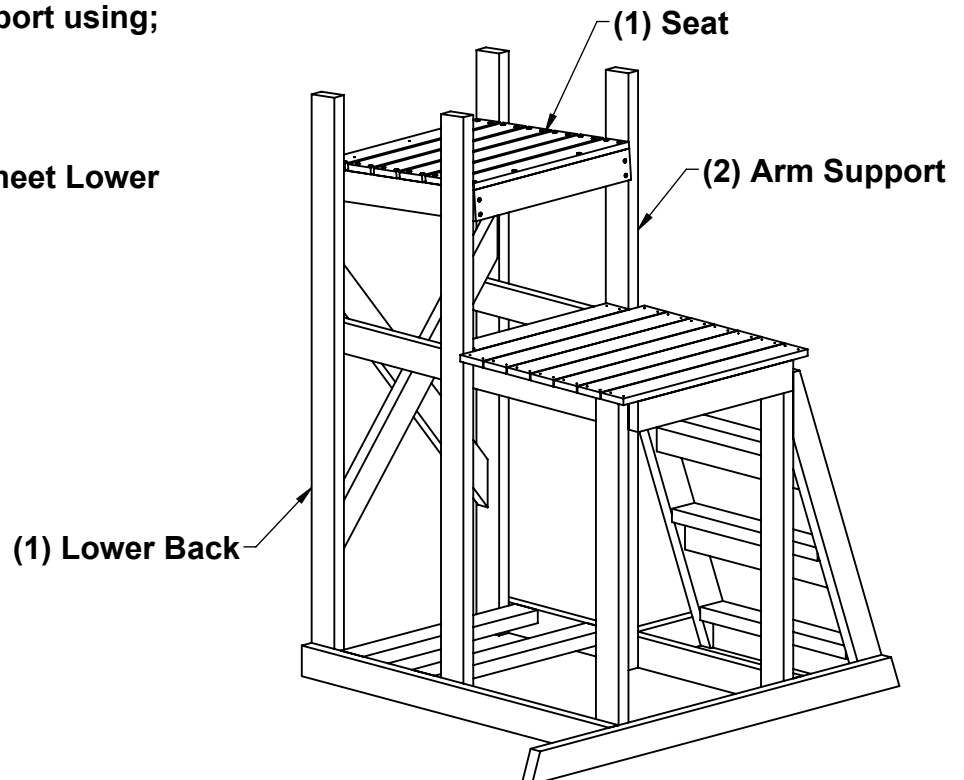
Step 6:

Attach Seat to Arm Support using;

- (2) Carriage Bolts**
- (2) Hex Nuts**

Swing Foot Rest up to meet Lower Back. Attach with;

- (4) Carriage Bolts**
- (4) Hex Nuts**



Use these pre-drilled holes. On top two holes use front hole

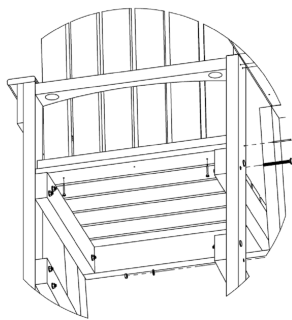
Step 7:

Attach Upper Back to Seat as Shown Below;

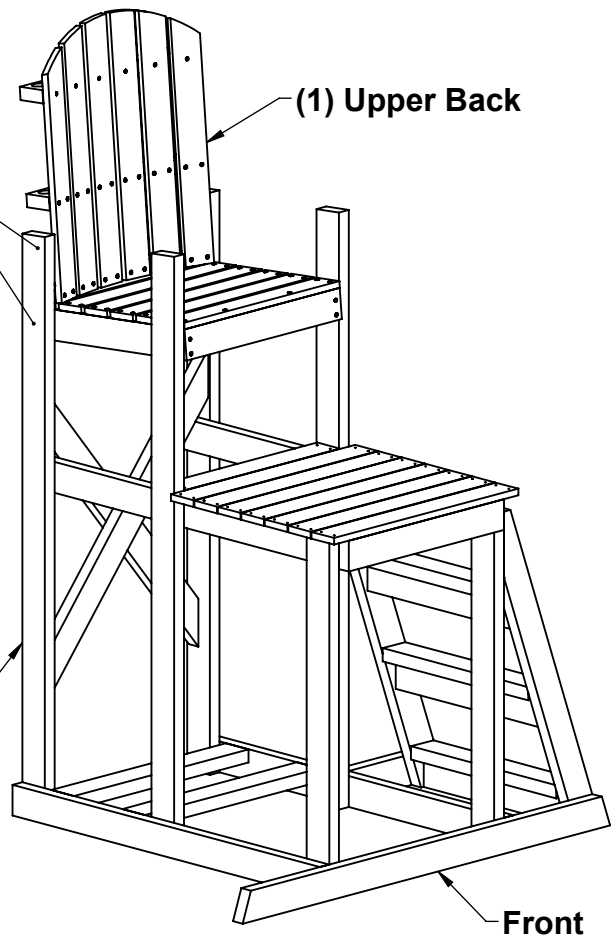
(2) 1 1/2" Square Drive Screws

Attachment to Lower Back using;

(4) 2 1/2" Square Drive Screws



(1) Lower Back



Step 8:

Attach Arm Stiffener to Lower Back. Use provided pre drilled holes;

(4) 1 1/2" Square Drive Screws

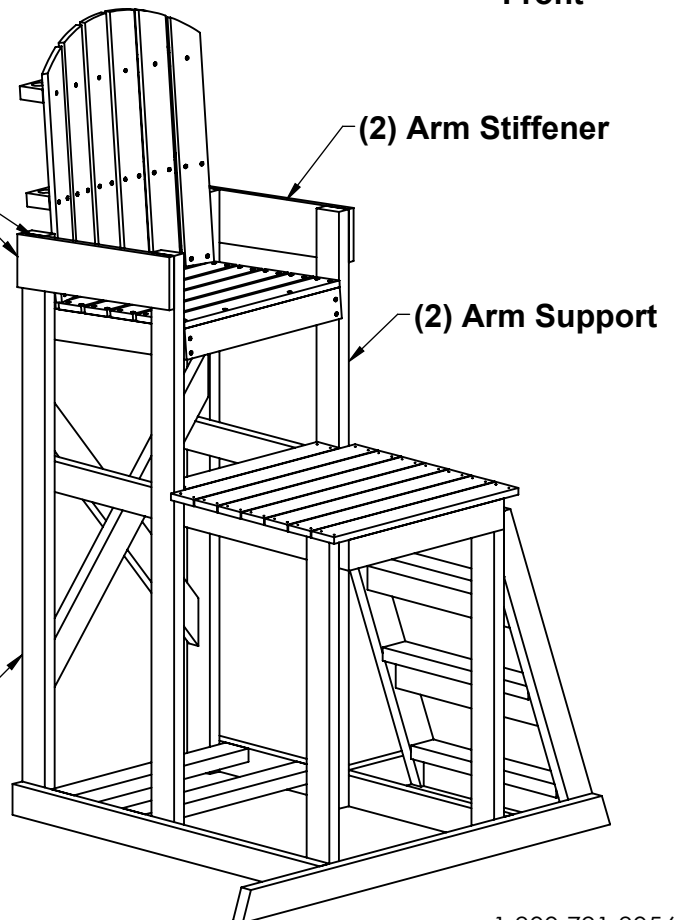
Note: Insure Arm Stiffener is flush to Lower Back top and side.

Flush front of Arm Stiffener to Arm Support than attach with;

(4) 1 1/2" Square Drive Screws

Flush top and side

(1) Lower Back



Step 7:

Tighten all hardware. DO NOT overtighten hex nuts.

Step 9:

Place Step Supports as shown. Attach to Base using;

(4) 2 1/2" Square Drive Screws

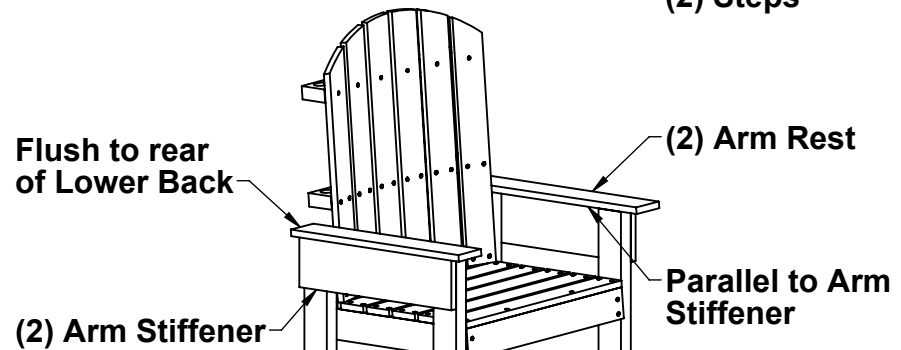
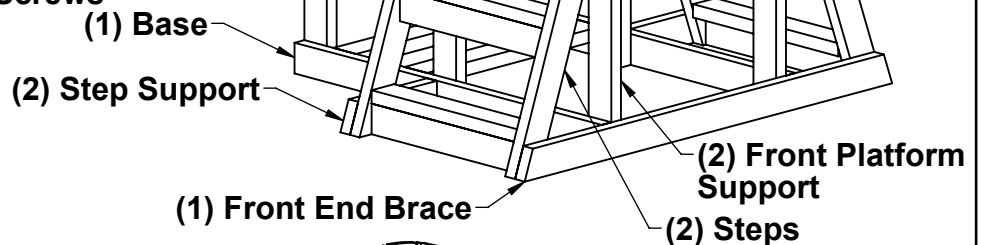
Attach Steps to Step Supports and Front End Brace with;

(4) Carriage Bolts

(4) Hex Nuts

Attach Steps to Front Platform Support and Arm Support with provided pre drilled holes using;

(8) 2 1/2" Square Drive Screws

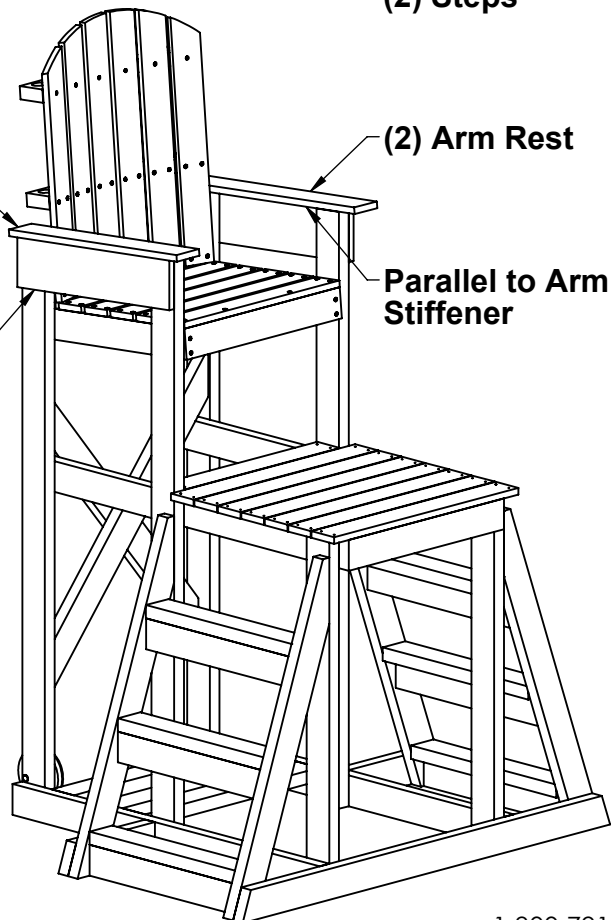


Step 10:

Attach Arm Rest to Arm Stiffener. Use provided pre drilled holes and;

(8) 1 1/2" Square Drive Screws

Note: Insure Arm Rest parallel to Arm Stiffener and Flush to the rear of the Lower Back.



Step 11:

Attach Wheels using;

- (2) Bolt CB 5/16"-18x3 1/2"**
- (4) Flat Washer 5/16"**
- (2) 5/16" Nylock Nut**

